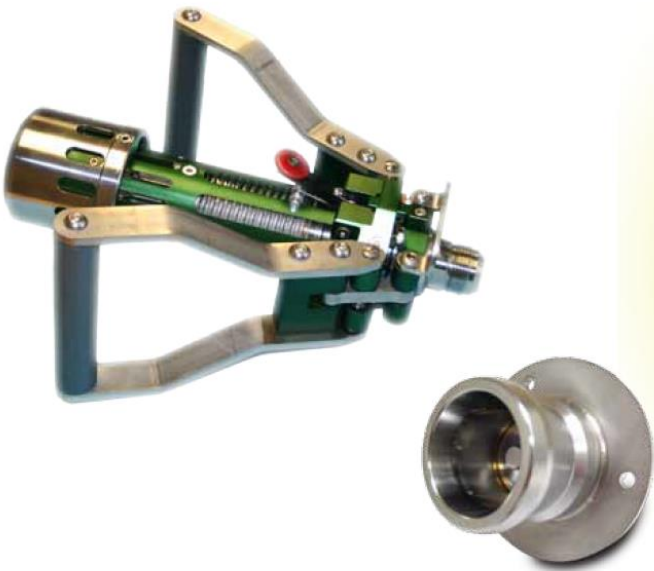
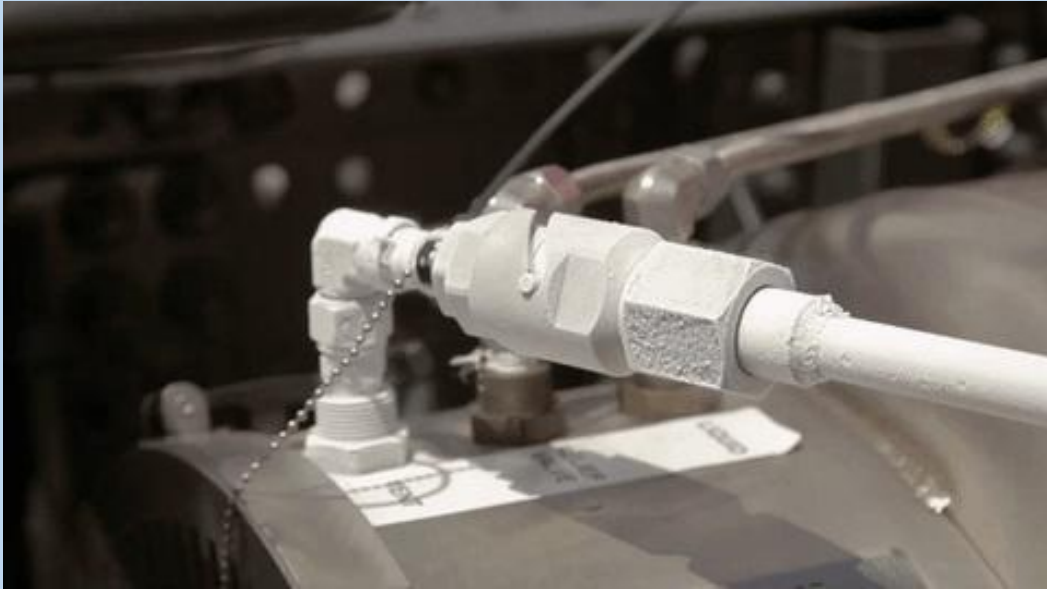


Macro LNG automotive _Last Update January 17th 2017

COMPONENTS FOR LNG FUELING SYSTEMS



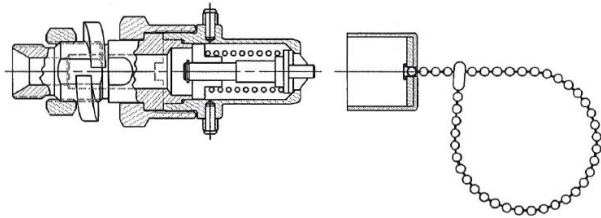
LNG VENT CONNECTIONS



Part Number

Description

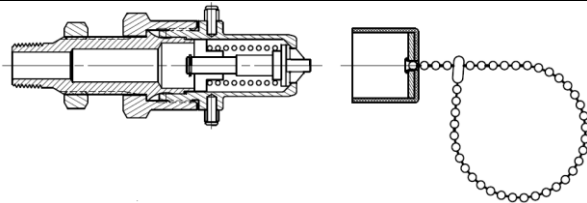
Flow capacity



14000

Male Quick Disconnect Vent Metric in US

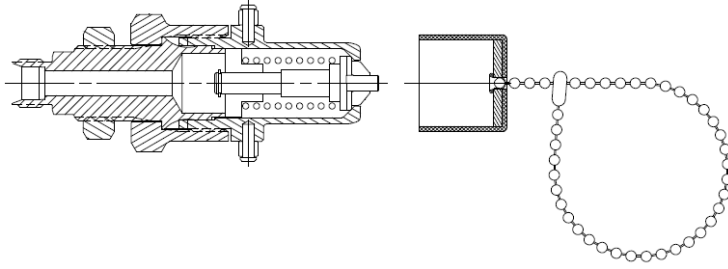
10 GPM



12895

Male Quick Disconnect Vent Bulkhead 3/8 Npt End conn

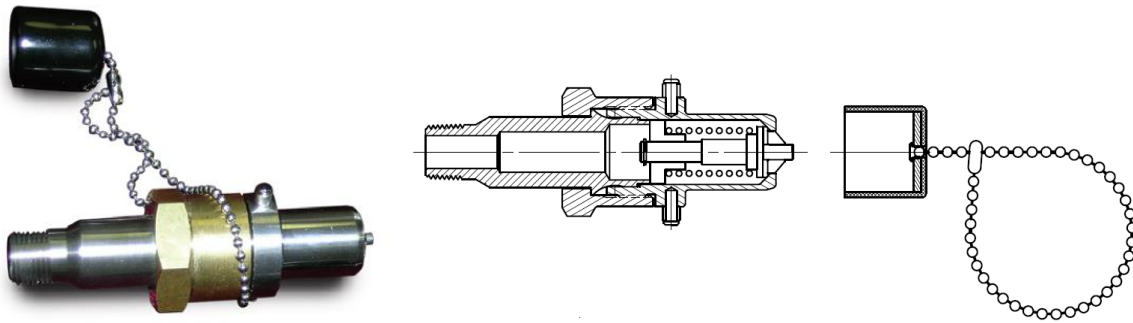
10 GPM



12895-1

Male Quick Disconnect Vent Bulkhead 3/8 Npt Tube conn

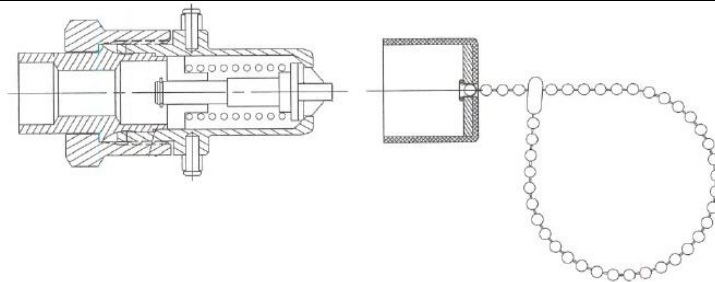
10 GPM



12680

Male Quick Disconnect Vent 3/8 NPT End conn.

10 GPM



11170

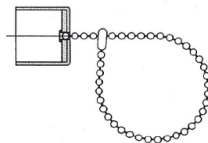
Male Socket Weld (5/8" Tube) Truck side

10 GPM

11170-1

Repair Kit for 11170, 12680, 12895

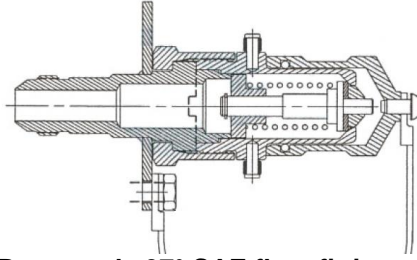
-



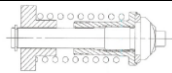
12524-1

Black plastic Cap cover and chain assembly for Male QDV vent

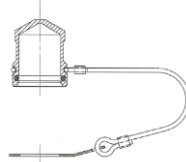
-



14410 **Male Fuelling Receptacle 37° SAE flare fitting with holding plate, "posilock" anti-rotation system and aluminum anodized clear cap cover.**



13937 **Male Quick Disconnect Vent Poppets-leakdown** **10 GPM**



13675 **Aluminum anodized blue Cap cover and lanyard assembly for Male QDV vent** **-**



11175 **Female Quick Disconnect Vent, 10 GPM/Vent, 90deg. Tube. 5/8 tube size, 45deg SAE fitting end (CGA 440 ref)** **10 GPM**



13775 **Female Quick Disconnect Vent, 10 GPM/Vent, Short Straight Handle (Cryogenic Swivel P/N 9551-3 required). 5/8 tube size, 45deg SAE fitting end (CGA 440 ref)**



13785 Female Quick Disconnect Vent, 10 GPM/Vent, Long Straight Handle (Cryogenic Swivel Part No. 9551-3 required)
5/8 tube size, 45deg SAE fitting end (CGA 440 ref)



T-1948 Vent Thread Ring Tool for Quick Disconnect Vent Female -

REPAIR KIT #11175-2 INCLUDING PARTS:

14535 Poppet Assembly



11173 Seal

11093 Seal Assembly



11175-2 Repair Kit for Quick Disconnect Vent Female -



11093 Seal Kit for Quick Disconnect Vent Female -



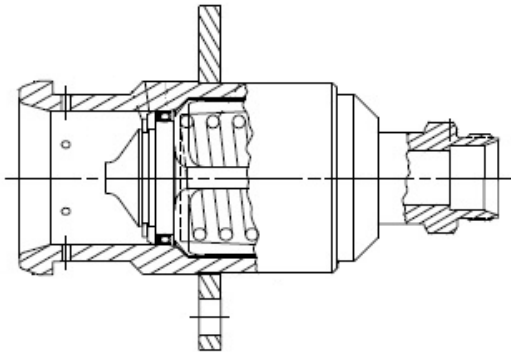
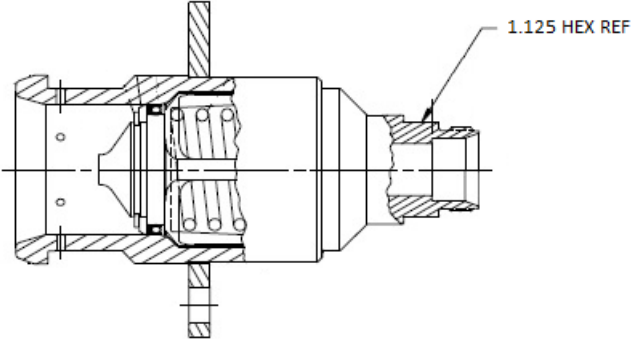
14535 Poppet Assembly for Quick Disconnect Vent Female -

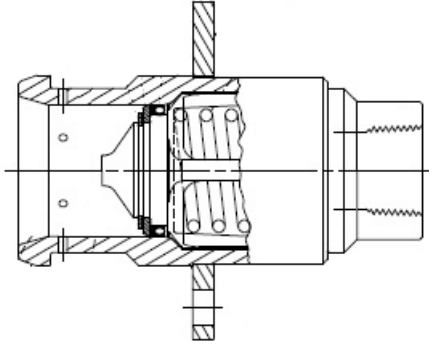


11173 Body Seal for Quick Disconnect Vent Male/Female -

LNG FILL CONNECTIONS



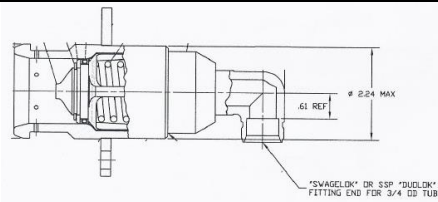
Part Number	Description	Flow capacity
13615	 <p data-bbox="435 1241 1203 1304">Male Fueling Receptacle with inlet 3/4" OD tube with double-ferrule fitting like "Swagelok" and "SSP Duolok"</p>	50 GPM
14120	 <p data-bbox="1024 1409 1154 1430">1.125 HEX REF</p> <p data-bbox="435 1738 1203 1801">Male Fueling Receptacle with inlet 3/4" OD tube with double-ferrule fitting like "Swagelok" and "SSP Duolok"</p>	50 GPM



13620

Male Fuelling Receptacle with inlet 3/4" NPTF

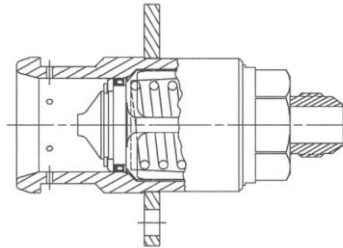
50 GPM



13705

Male Fuelling Receptacle with 90° inlet for 3/4" OD tube with double-ferrule fitting like "Swagelok" and "SSP Duolok"

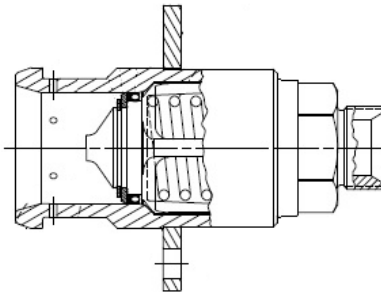
50 GPM



14405

Male Fueling Receptacle 37° SAE flare fitting

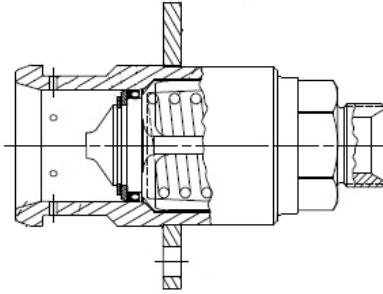
50 GPM



13990

Male Fueling Receptacle M30x1.5 thread metric tube fitting

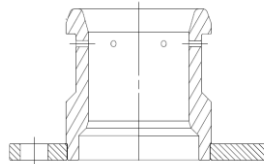
50 GPM



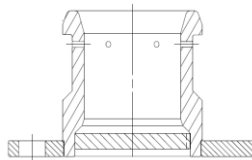
14050 **Male Fueling Receptacle M30x2.0 THD thread metric tube fitting** **50 GPM**



13665 **Aluminum Cap for 50 GPM Male Fuelling Receptacle** **50 GPM**



13685 **Dock, Fuelling Nozzle Receptacle** **50 GPM**



14237 **Dock, Fuelling Nozzle Receptacle** **50 GPM**



T-3003 **Repair Kit for Male Fuelling Receptacle** **50 GPM**

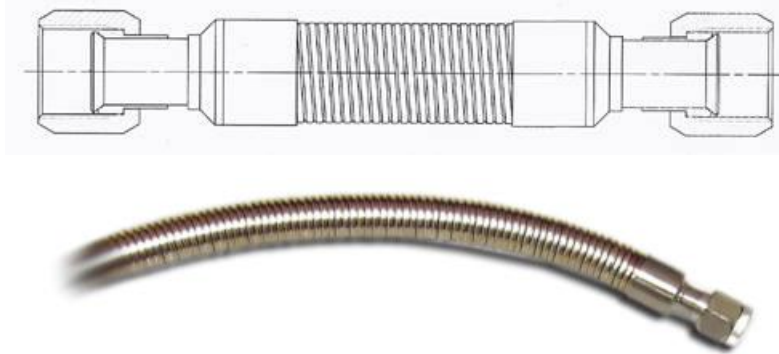
14010 **Seal for for Male Fuelling Receptacle (OBSOLETE - USE NEW P/N 14596)** **50 GPM**

14508 **Seal for for Male Fuelling Receptacle (OBSOLETE - USE NEW P/N 14596)** **50 GPM**

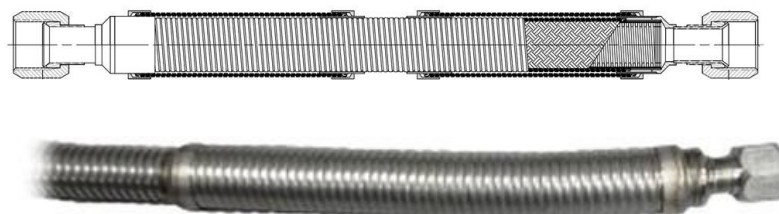
14596 **Seal for for Male Fuelling Receptacle** **50 GPM**

LNG VENT/FILL CRYOGENIC HOSES

Part Number	Description	Flow capacity
		
CHB-440-440-072	1/2" ID Bulk Hose - venting line 72" (1,80m) Brass connections	-
CHB-440-440-096	1/2" ID Bulk Hose - venting line 96" (2,40m) Brass connections	-
CHB-440-440-120	1/2" ID Bulk Hose - venting line 120" (3m) Brass connections	-
CHB-440-440-144	1/2" ID Bulk Hose - venting line 144" (3,60m) Brass connections	-
CHB-440-440-156	1/2" ID Bulk Hose - venting line 180" (3,90m) Brass connections	-
		
CHS-440-440-072	1/2" ID Bulk Hose - venting line 72" (1,80m) Stainless Steel connections	-
CHS-440-440-096	1/2" ID Bulk Hose - venting line 96" (2,40m) Stainless Steel connections	-
CHS-440-440-120	1/2" ID Bulk Hose - venting line 120" (3m) Stainless Steel connections	-
CHS-440-440-144	1/2" ID Bulk Hose - venting line 144" (3,60m) Stainless Steel connections	-



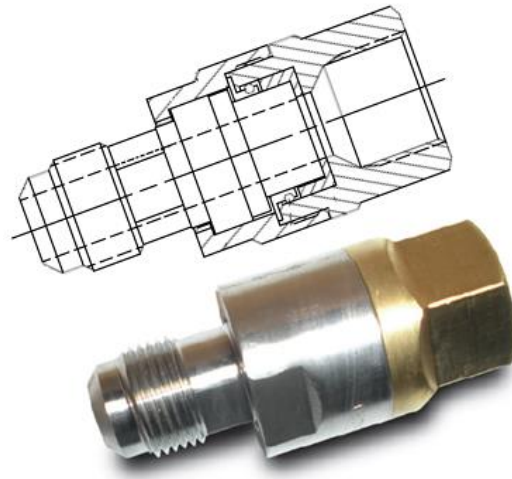
11910-072	1" ID Bulk Hose - liquid line 72" (1,80m) Stainless Steel connections	-
11910-120	1" ID Bulk Hose - liquid line 120" (3m) Stainless Steel connections	-
11910-144	1" ID Bulk Hose - liquid line 144" (3,60m) Stainless Steel connections	-
11910-180	1" ID Bulk Hose - liquid line 180" (4,50m) Stainless Steel connections	-



14340-120	1" ID Bulk Hose - liquid line 120" (3m) Stainless Steel connections WITH double armor (reinforced ends)	-
14340-144	1" ID Bulk Hose - liquid line 144" (3,60m) Stainless Steel connections WITH double armor (reinforced ends)	-
14340-156	1" ID Bulk Hose - liquid line 156" (3,90m) Stainless Steel connections WITH double armor (reinforced ends)	-
14340-180	1" ID Bulk Hose - liquid line 180" (4,50m) Stainless Steel connections WITH double armor (reinforced ends)	-
14340-240	1" ID Bulk Hose - liquid line 240" (6m) Stainless Steel connections WITH double armor (reinforced ends)	-

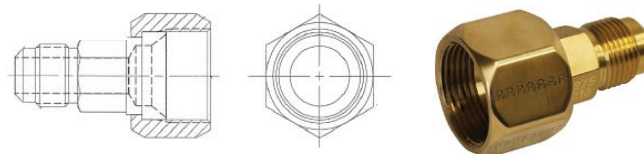
10719-09	Copper Cone Seal for 1/2" Bulk Hose connections	-
10719-16	Copper Cone Seal for 1" Bulk Hose connections	-

B-290	brass adapter, 1" male x 1/2" female (the use of 2 pcs, allow the installation of a 1" LNG liquide hose in the LNG venting line which commonly have 1/2" connections)	-
-------	---	---





9551-3	Swivel 45° male SAE fitting for 5/8 OD Tube, 5/8" SAE 45° female WARNING: when using the swivel in an installation with any kind of side-loading there is a known risk of leakage	-
--------	---	---


9551-RK	Repair kit for Swivel	-
---------	-----------------------	---

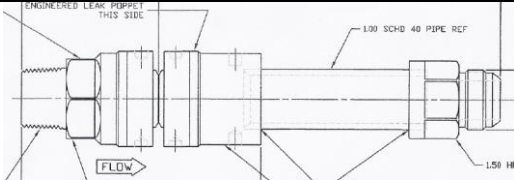


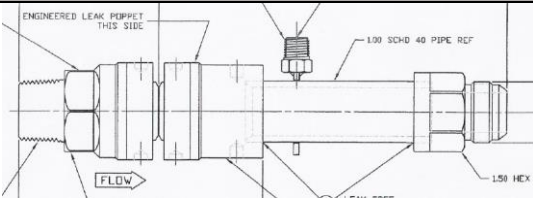
12275	Hose Adaptor 1" JIC Female x 5/8 SAE Male (Flare tubing adaptor 1" 37° SAE FEMALE to 5/8 45° SAE MALE)	-
-------	---	---

LNG VENT/FILL BREAKAWAY

Part Number	Description	
14370	<p>Vent Breakaway (6" length) for 1/2" ID Hose. Hose Connection Fitting .975-14 UN-2A Thread for 5/8" SAE 45° Male Fitting End (JIC). Dispenser Connection Fitting .75 - 14 MNPT RE. Includes 1/4"MNPT blanked-off air pressure fitting for pneumatic pressure switch.</p> 	
14390-4	<p>Fill Breakaway short (7.25" length) 50 GPM Flow, 22.5' angled. Dispenser Connection Fitting, Ø 1" Tube size - 11.5 M NPT Hose Connection Fitting, 1.3125-12 UN-2A Thread for Ø 1" Tube size, 37° SAE fitting end. Does NOT includes 1/4"MNPT blanked-off air pressure fitting for pneumatic pressure switch.</p>	
14390-8	<p>Fill Breakaway short (7.25" length) 50 GPM Flow, 22.5' angled. Dispenser Connection Fitting, Ø1" Tube size - 11.5 M NPT Hose Connection Fitting, M36 x 2 THD. Does NOT includes 1/4"MNPT blanked-off air pressure fitting for pneumatic pressure switch.</p>	
13740-4	<p>Fill Breakaway short (7.25" length) 50 GPM Flow. Dispenser Connection Fitting, Ø1" Tube size - 11.5 M NPT Hose Connection Fitting, 1.3125-12 UN-2A Thread for Ø 1" Tube size, 37° SAE fitting end. Includes 1/4"MNPT blanked-off air pressure fitting for pneumatic pressure switch.</p>	
13740-8	<p>Fill Breakaway short (7.25" length) 50 GPM Flow. Dispenser Connection Fitting, Ø1" Tube size - 11.5 M NPT Hose Connection Fitting, M36 x 2 THD. Includes 1/4"MNPT blanked-off air pressure fitting for pneumatic pressure switch.</p>	

14390-2	<p>Fill Breakaway standard (10.50" length) 50 GPM Flow, 22.5' angled. Dispenser Connection Fitting, Ø 1" Tube size - 11.5 M NPT Hose Connection Fitting, 1.3125-12 UN-2A Thread for Ø 1" Tube size, 37° SAE fitting end. Does NOT includes 1/4"MNPT blanked-off air pressure fitting for pneumatic pressure switch.</p>	
14390-6	<p>Fill Breakaway short (10.50" length) 50 GPM Flow, 22.5' angled. Dispenser Connection Fitting, Ø1" Tube size - 11.5 M NPT Hose Connection Fitting, M36 x 2 THD. Does NOT includes 1/4"MNPT blanked-off air pressure fitting for pneumatic pressure switch.</p>	
13740-2	<p>Fill Breakaway standard (10.50" length) 50 GPM Flow, 22.5' angled. Dispenser Connection Fitting, Ø 1" Tube size - 11.5 M NPT Hose Connection Fitting, 1.3125-12 UN-2A Thread for Ø 1" Tube size, 37° SAE fitting end. Includes 1/4"MNPT blanked-off air pressure fitting for pneumatic pressure switch.</p>	
13740-6	<p>Fill Breakaway short (10.50" length) 50 GPM Flow, 22.5' angled. Dispenser Connection Fitting, Ø1" Tube size - 11.5 M NPT Hose Connection Fitting, M36 x 2 THD. Includes 1/4"MNPT blanked-off air pressure fitting for pneumatic pressure switch</p>	

14390-5	<div data-bbox="574 1073 1084 1251" data-label="Diagram">  </div> <p>Fill Breakaway standard (10.50" length) 50 GPM Flow, Straight NOT angled. Dispenser Connection Fitting, Ø 1" Tube size - 11.5 M NPT Hose Connection Fitting, 1.3125-12 UN-2A Thread for Ø 1" Tube size, 37° SAE fitting end. Does NOT includes 1/4"MNPT blanked-off air pressure fitting for pneumatic pressure switch.</p>
---------	---

13740-5	<div data-bbox="565 1493 1094 1692" data-label="Diagram">  </div> <p>Fill Breakaway standard (10.50" length) 50 GPM Flow, Straight NOT angled. Dispenser Connection Fitting, Ø 1" Tube size - 11.5 M NPT Hose Connection Fitting, 1.3125-12 UN-2A Thread for Ø 1" Tube size, 37° SAE fitting end. Includes 1/4"MNPT blanked-off air pressure fitting for pneumatic pressure switch.</p>
---------	--

FUELLING NOZZLE 50 GPM



Part Number	Description	Flow capacity
-------------	-------------	---------------

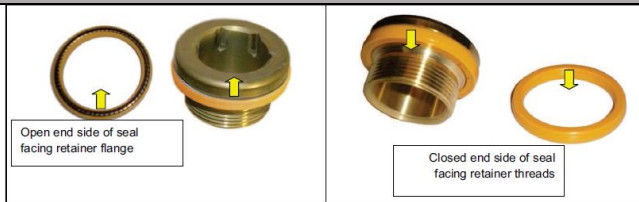


CryoMac3-50M	JIC Male SAE 37° Flare Fitting for 1" tube – Stand. Handle ISO 12617 Road Vehicles certified	50 GPM
--------------	---	--------

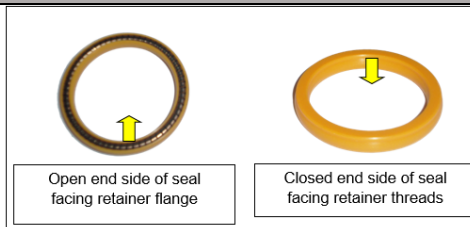
CryoMac3-50M-S	JIC Male SAE 37° Flare Fitting for 1" tube - Short Handle ISO 12617 Road Vehicles certified	50 GPM
-----------------------	---	---------------



14103	Sleeve Assembly for Cryomac (sleeve, nose piece, 16 balls, 6 guide pins, and a rubber band)	-
--------------	--	---



14255	Seat & Seal Assembly for CryoMac	-
--------------	---	---



14591	Cryomac Interface Seal replacement (to ensure a correct seal replacement use tool kit p/n 14590)	-
--------------	---	---

14424	Cryomac Interface Seal replacement – OBSOLETE VERSION (please use latest release p/n 14591)	-
--------------	--	---



14590	Cryomac Seal Repair Tool Kit	-
--------------	-------------------------------------	---

13960	Poppet Assembly for CryoMac	-
T-2961	Tool for poppet removal for CryoMac	-

