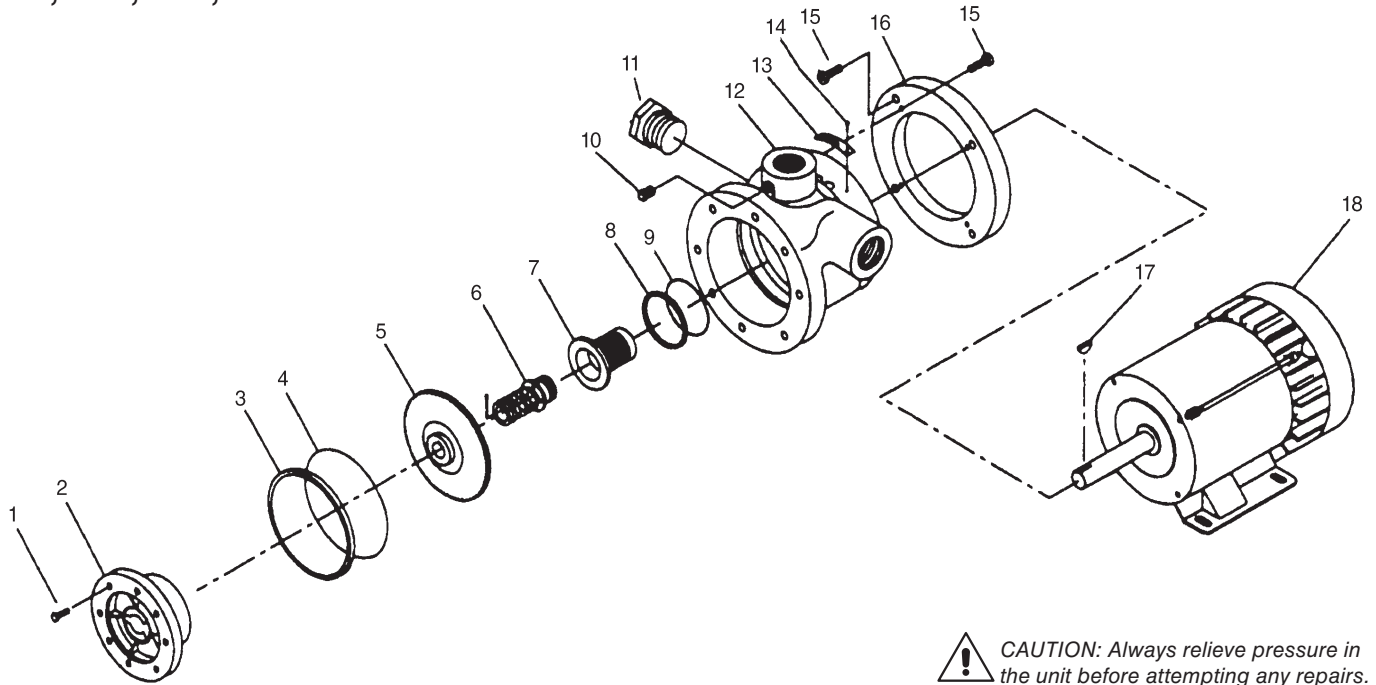


# Appendix E—Parts Details for All C-Model (Close-Coupled) Pumps

## C10, C12, C13, and C14



**CAUTION:** Always relieve pressure in the unit before attempting any repairs.

### Bill of Materials

Ref No.	Part No.	Description	Qty.
1	7001-031NC100A	Hex head cap screw	8
2	1001-0	Cover - model 10	1
	1001-2	Cover - model 12	1
	1001-3	Cover - model 13	1
	1001-4	Cover - model 14	1
3	1014 <sup>c</sup>	Case clearance shim (.002" red)	As req.
	1014-1 <sup>c</sup>	Case clearance shim (.003" green)	As req.
4	2-246 <sup>a,c</sup>	Case O-ring	1
5	1003-0 <sup>d</sup>	Impeller, brass - model 10	1
	1003-2 <sup>d</sup>	Impeller, brass - model 12	1
	1003-3 <sup>d</sup>	Impeller, brass - model 13	1
	1003-4 <sup>d</sup>	Impeller, brass - model 14	1
6	113-CX <sup>a</sup>	Seal assembly	1
7	1004-1X	Seal housing, steel (non-PTFE O-rings)	1
	1004-11X	Seal housing, SS (non-PTFE O-rings)	1
	1004-2X	Seal housing, steel (PTFE O-rings)	1
	1004-21X	Seal housing, SS (PTFE O-rings)	1
8	1013	Housing adjustment shim (.010")	As req.
	1013-1	Housing adjustment shim (.020")	As req.
9	2-224 <sup>a,c</sup>	Housing O-ring	1
10	3442	Pipe plug, 1/4" NPT	1
11	3444	Pipe plug, 3/4" NPT	1
12	1002-0	Case - model 10	1
	1002-2	Case - model 12	1
	1002-3	Case - model 13	1
	1002-4	Case - model 14	1
	4206-0	Case - ANSI flanged model 10	1
	4206-2	Case - ANSI flanged model 12	1
	4206-3	Case - ANSI flanged model 13	1
	4206-4	Case - ANSI flanged model 14	1

Ref No.	Part No.	Description	Qty.
13	1914-1	Nameplate	1
14	7012-006SF019E	Phillips head screw 6-32 x 1/4"	2
15	7002-037NC087A	Socket head cap screw	8
16	1015	Adapter ring	1
17	2497 <sup>c</sup>	Woodruff key, steel	1
	2497-1 <sup>c</sup>	Woodruff key, SS	1
18	2555 (obsolete) <sup>e</sup>	Motor 3/4 hp - models 9 & 10	1
	2556 (obsolete) <sup>e</sup>	Motor 1 hp - models 10 & 12	1
	2557	Motor 3 hp - model 14	1
	4261	Motor 2 hp - models 10, 12, & 13	1

O-ring Code	
A	Buna-N
B	Neoprene <sup>®b</sup>
D	Viton <sup>®b</sup>
E	PTFE
K	Kalrez <sup>®b</sup>

<sup>a</sup> \_ denotes O-ring code. See O-ring chart for details.

<sup>b</sup> Registered trademark of the DuPont company.

<sup>c</sup> Included with seal assembly/repair kit 113-CX\_.

<sup>d</sup> Add a 1 to # for Iron or a 2 for stainless steel.

(ex. - model 10 w/iron is 1003-01)

<sup>e</sup> Replaced by 4261.