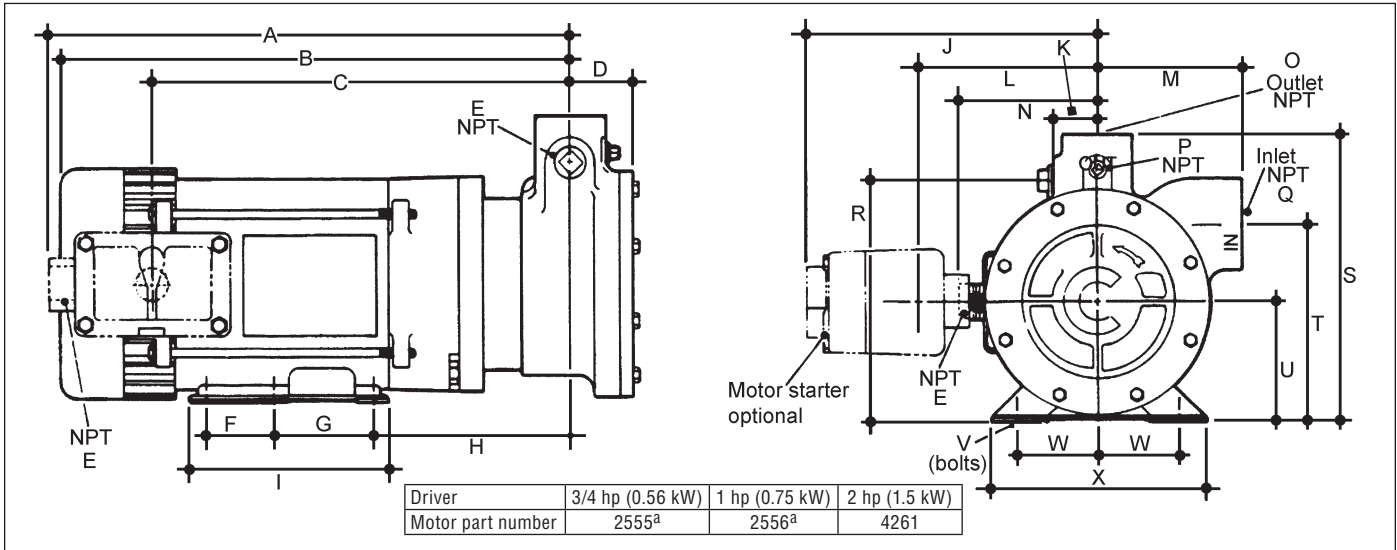


# Appendix D—Outline Dimensions for C-Model (Close-Coupled) Pumps C10, C12, C13, and C14

## 1 to 2 Hp Motors



Outline Dimensions for Pumps with Obsolete Bluffton Motors—Inches (Centimeters)

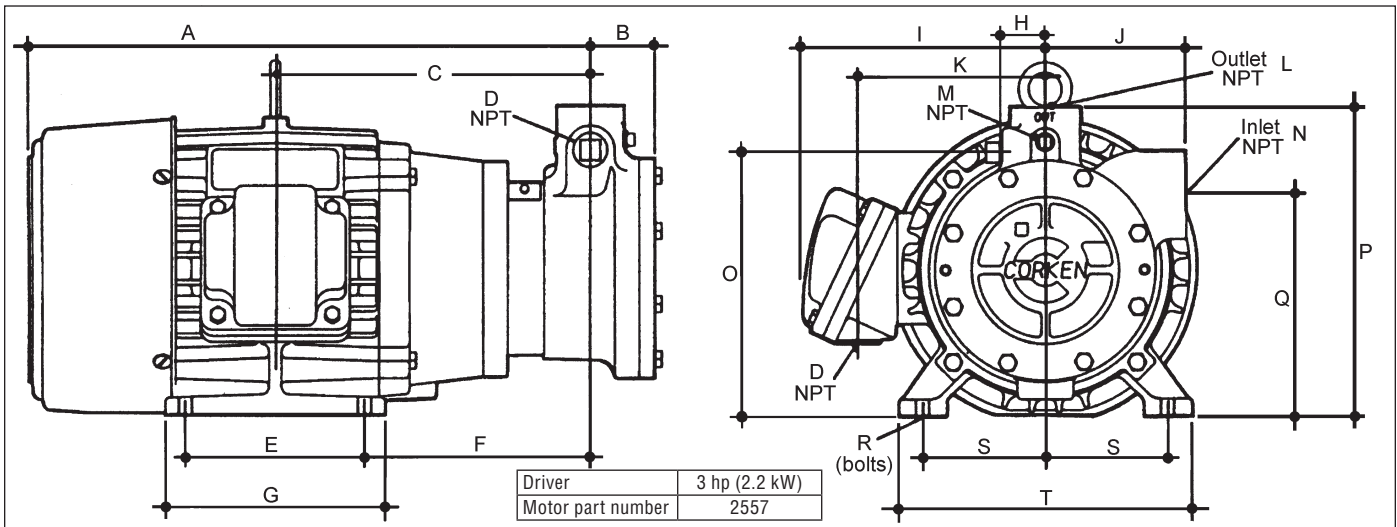
Model	hp	A	B	C	D	E	F	G	H	I	J	K	L	M	N	O	P	Q	R	S	T	U	V	W	X
C10, C12	1	17-1/8 (43.50)	16-3/4 (42.55)	14 (35.58)	2 (5.08)	3/4 (1.91)	1 (2.54)	4 (10.16)	5-7/8 (14.90)	5-7/8 (14.90)	8-11/16 (22.06)	1-5/16 (3.33)	5-3/8 (13.65)	4-5/16 (10.95)	4-3/16 (10.63)	1 (2.54)	1/4 (0.64)	1-1/2 (3.81)	6-1/8 (15.56)	8-1/2 (21.59)	5-3/4 (14.61)	3-1/2 (8.89)	1/4 bolt (0.64)	2-7/16 (6.19)	6-1/2 (16.51)
C12, C13	2	18-17/32 (47.07)	8-1/16 (45.88)	14-15/16 (39.94)	2 (5.08)	3/4 (1.91)	1 (2.54)	4 (10.16)	5-7/8 (14.90)	6-1/2 (16.51)	9-5/16 (23.65)	1-5/16 (3.33)	6 (15.24)	4-5/16 (10.95)	4-13/16 (12.22)	1 (2.54)	1/4 (0.64)	1-1/2 (3.81)	7-1/8 (18.10)	9-1/2 (24.13)	6-13/16 (17.30)	3-1/2 (8.89)	3/8 bolt (0.95)	2-7/16 (6.19)	6-1/2 (16.51)

Outline Dimensions for Pumps with Marathon Motors—Inches (Centimeters)

C10, C12, C13	2	15-13/16 (40.16)	15-3/4 (40.00)	12-1/8 (30.80)	2 (5.08)	3/4 (1.91)	N/A	3 (7.62)	5-7/8 (14.90)	4 (10.16)	10-3/16 (25.88)	1-5/16 (3.33)	6-7/8 (17.46)	4-5/16 (10.95)	5-5/8 (14.28)	1 (2.54)	1/4 (0.64)	1-1/2 (3.81)	7-1/8 (18.10)	9-1/2 (24.13)	6-13/16 (17.30)	3-1/2 (8.89)	3/8 bolt (0.95)	2-7/16 (6.19)	6-1/2 (16.51)
---------------	---	---------------------	-------------------	-------------------	-------------	---------------	-----	-------------	------------------	--------------	--------------------	------------------	------------------	-------------------	------------------	-------------	---------------	-----------------	------------------	------------------	--------------------	-----------------	--------------------	------------------	------------------

<sup>a</sup> These part numbers are obsolete and have been replaced by part #4261 (2 hp).

## 3 Hp Motors



Outline Dimensions - Inches (Centimeters)

Model	hp	A	B	C	D	E	F	G	H	I	J	K	L	M	N	O	P	Q	R	S	T
C13, C14	3	17-1/4 (43.80)	2 (5.08)	9-11/16 (24.60)	3/4 (1.91)	4-1/2 (11.43)	6-15/16 (17.62)	5-1/2 (13.97)	1-5/16 (3.33)	7-5/8 (24.60)	4-5/16 (10.95)	5-3/4 (14.60)	1 (2.54)	1/4 (0.64)	1-1/2 (3.81)	8-1/8 (20.64)	9-1/2 (24.13)	6-13/16 (17.30)	5/16 bolt (0.79)	3-3/4 (9.52)	8-3/4 (22.23)