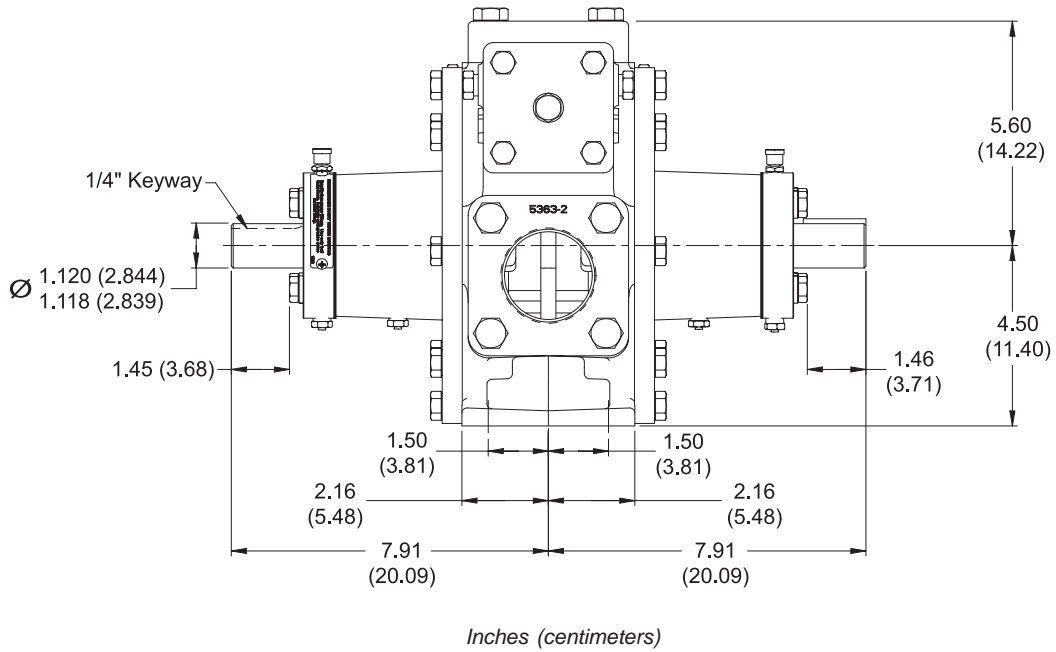
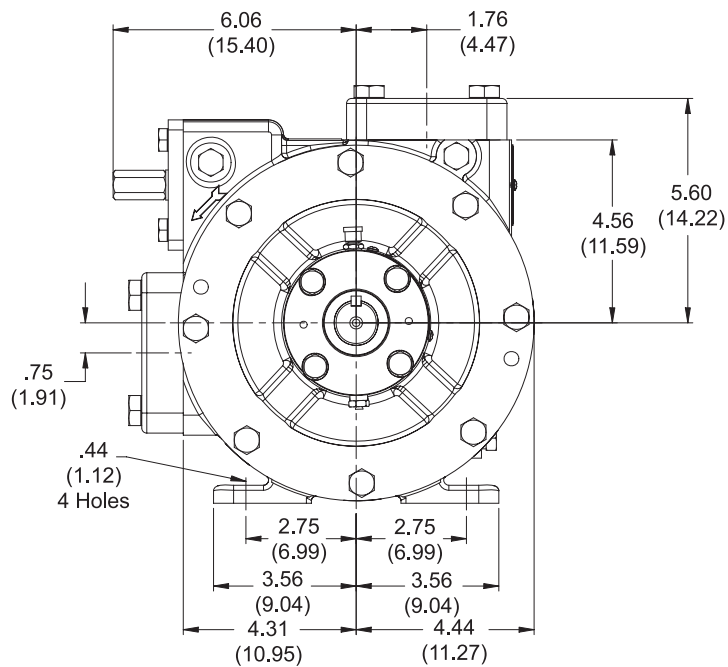


# Appendix D—Outline Dimensions for the PZ7

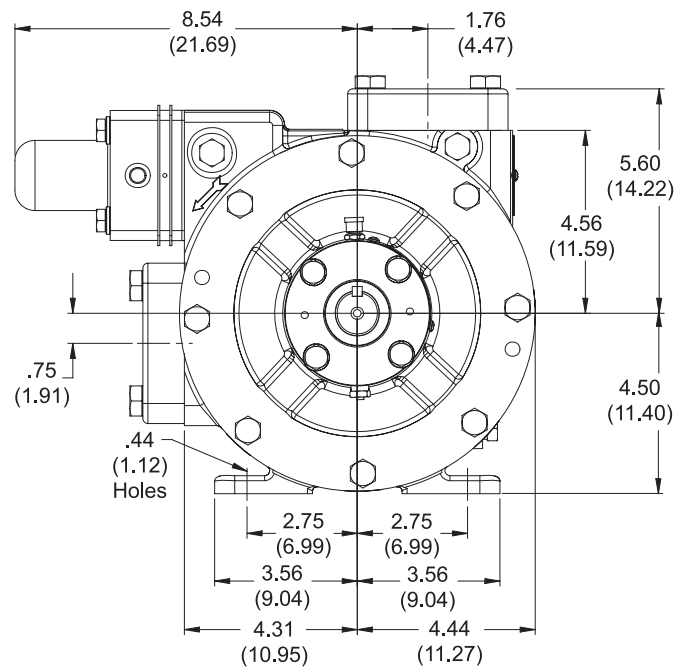
## PZ7 with Standard Bypass Valve



## PZ7 with Standard Bypass Valve



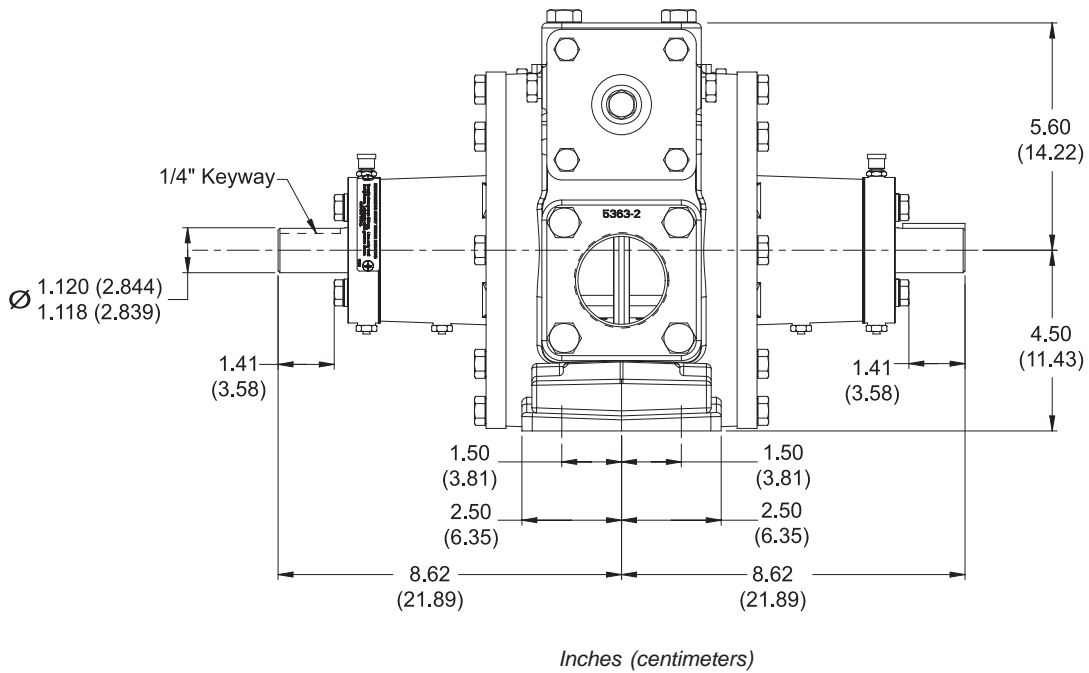
## PZ7 with Air Operated Valve (AOV)



Inches (centimeters)

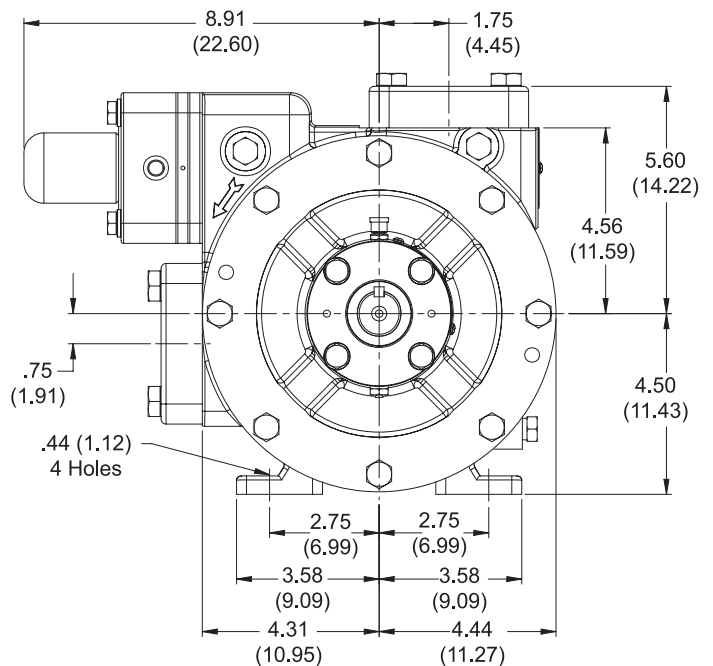
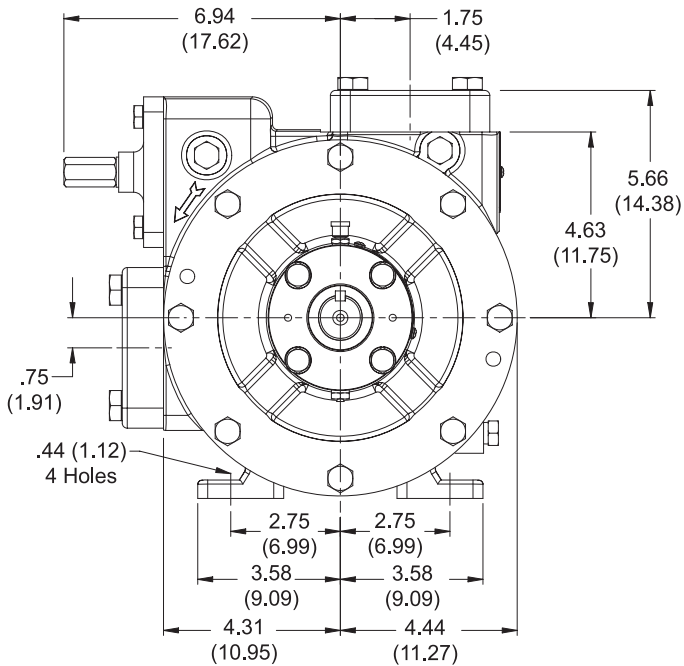
# Appendix D—Outline Dimensions for the PZ10

## PZ10 with Standard Bypass Valve



## PZ10 with Standard Bypass Valve

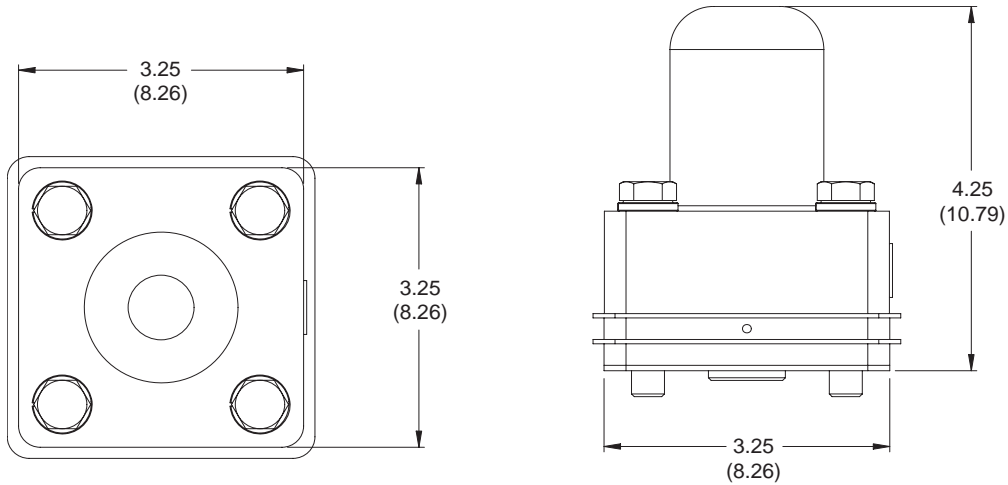
## PZ10 with Air Operated Valve (AOV)



Inches (centimeters)

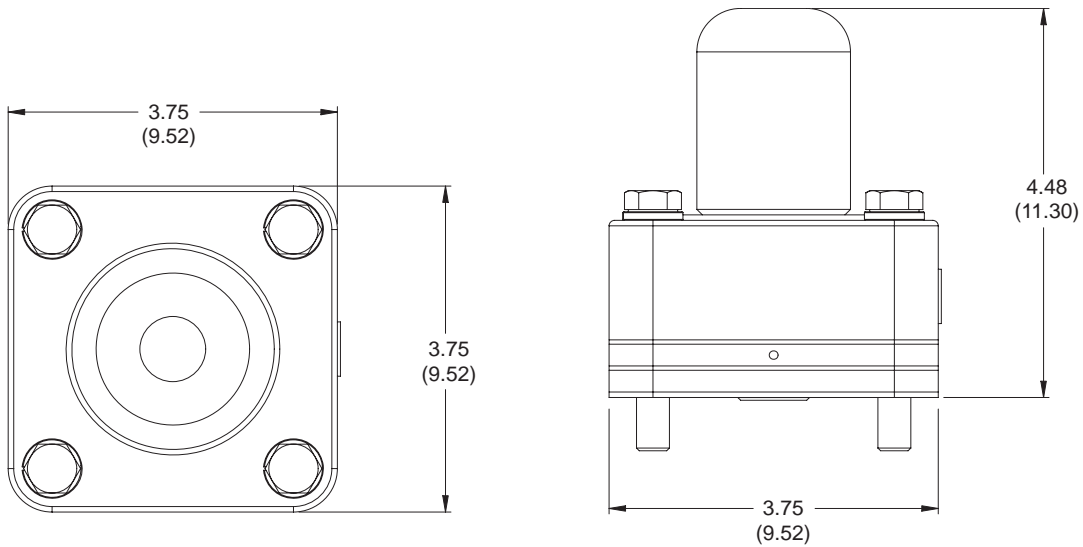
# Appendix D—Outline Dimensions for Air Operated Valve and Strainer

## 5470-X Air Operated Valve (AOV) for PZ7 Pump



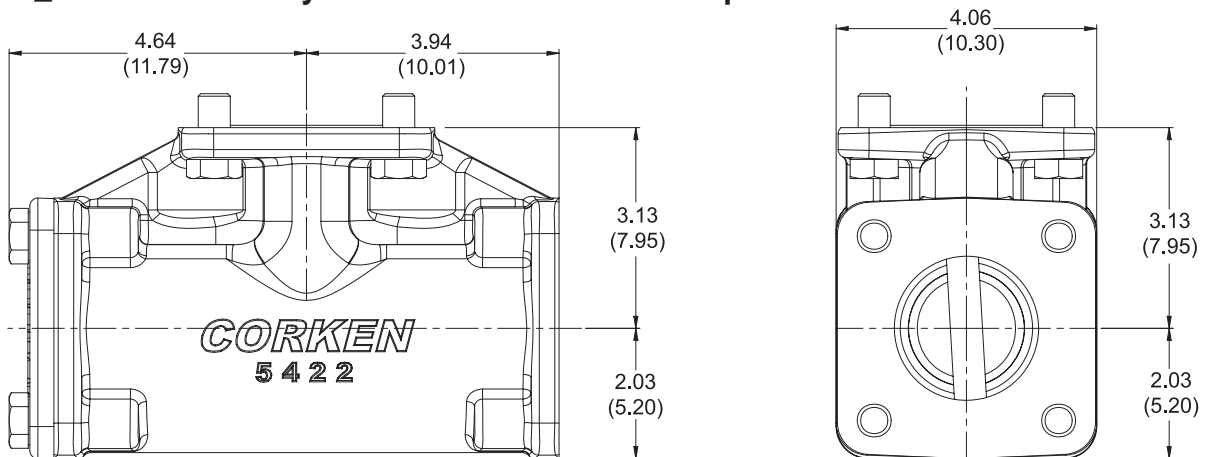
Inches (centimeters)

## 5462-X Air Operated Valve (AOV) for the PZ10 Pump



Inches (centimeters)

## 5422-X Strainer Assembly for the PZ7 and PZ10 Pump



Inches (centimeters)