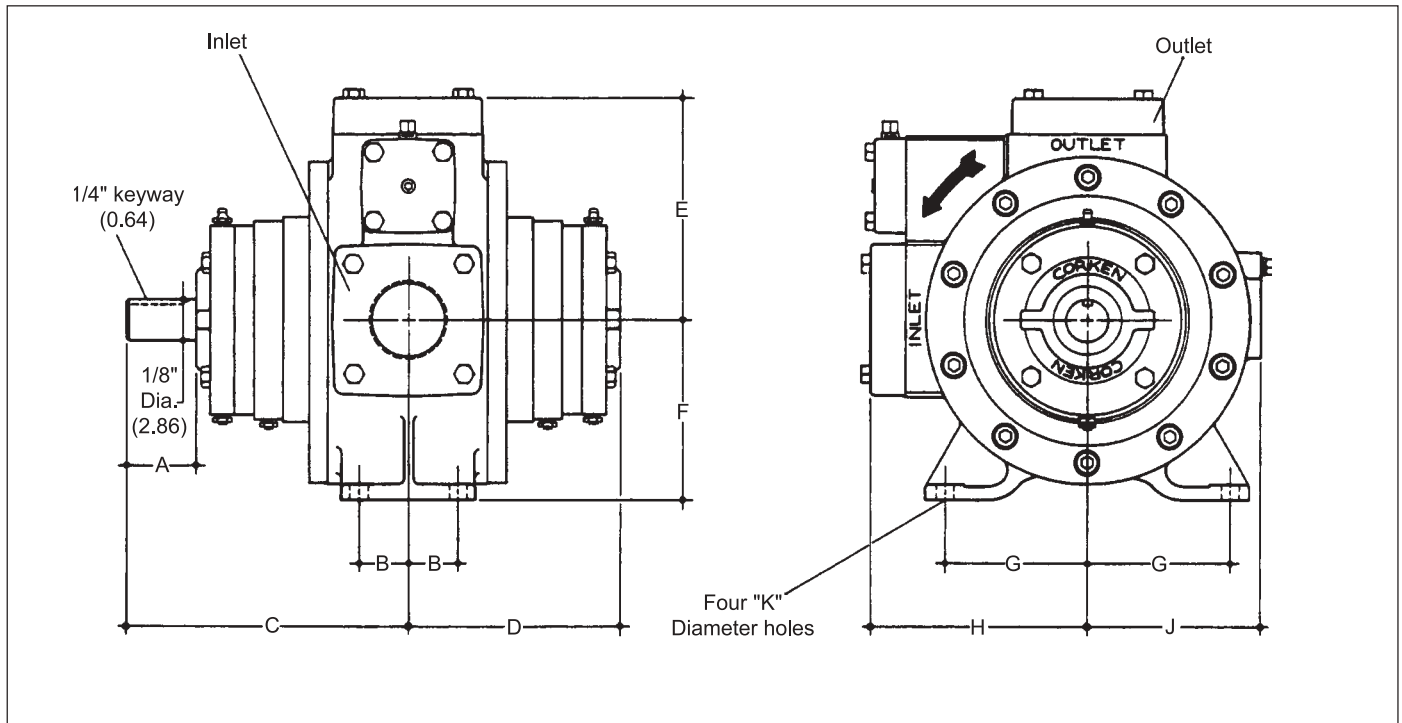


Appendix D—Outline Dimensions For Models 521 and 1021



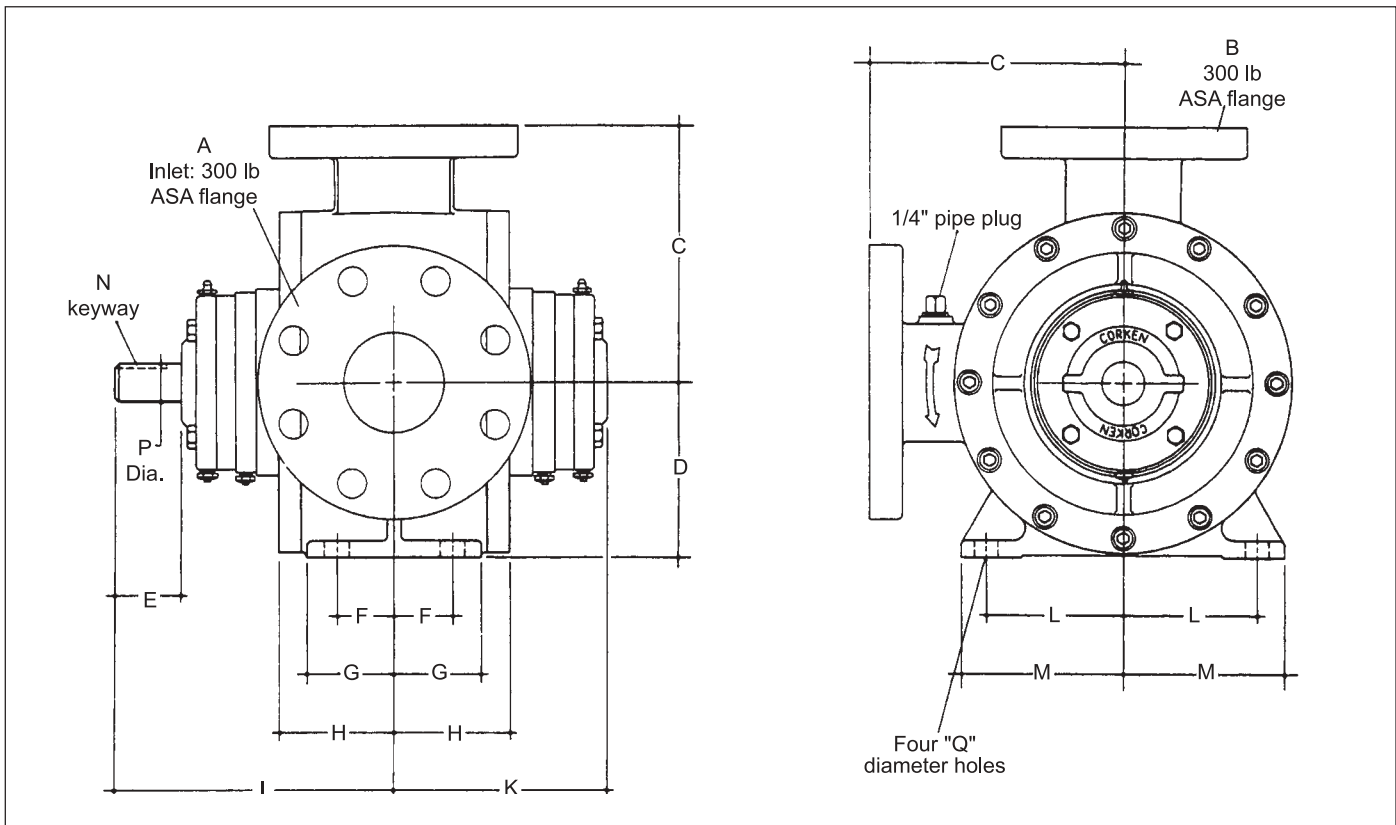
Outline Dimensions—Inches (Centimeters)

Model	Inlet	Outlet	A	B	C	D
521	2-1/2" NPT (std.) Opt: 2" NPT 2", 2-1/2" Weld	2" NPT (std.) Opt: 1-1/2", 2-1/2" NPT 1-1/2", 2", 2-1/2" Weld	1-31/32 (5)	1-3/8 (3.49)	7-7/8 (20)	5-29/32 (15)
1021	3" NPT (std.) Opt: 3", 4" Weld 4" NPT	3" NPT (std.) Opt: 3", 4" Weld 4" NPT	2 (5.08)	1-3/4 (4.45)	8-1/2 (21.59)	6-7/16 (16.35)

Outline Dimensions—Inches (Centimeters)

Model	E	F	G	H	J	K
521	6-1/8 (15.56)	5 (12.70)	4 (10.16)	6-1/8 (15.56)	4-11/16 (11.91)	1/2 (1.27)
1021	7-1/16 (17.94)	5-1/2 (13.97)	4 1/8 (10.48)	7-1/16 (17.94)	5-3/8 (13.65)	1/2 (1.27)

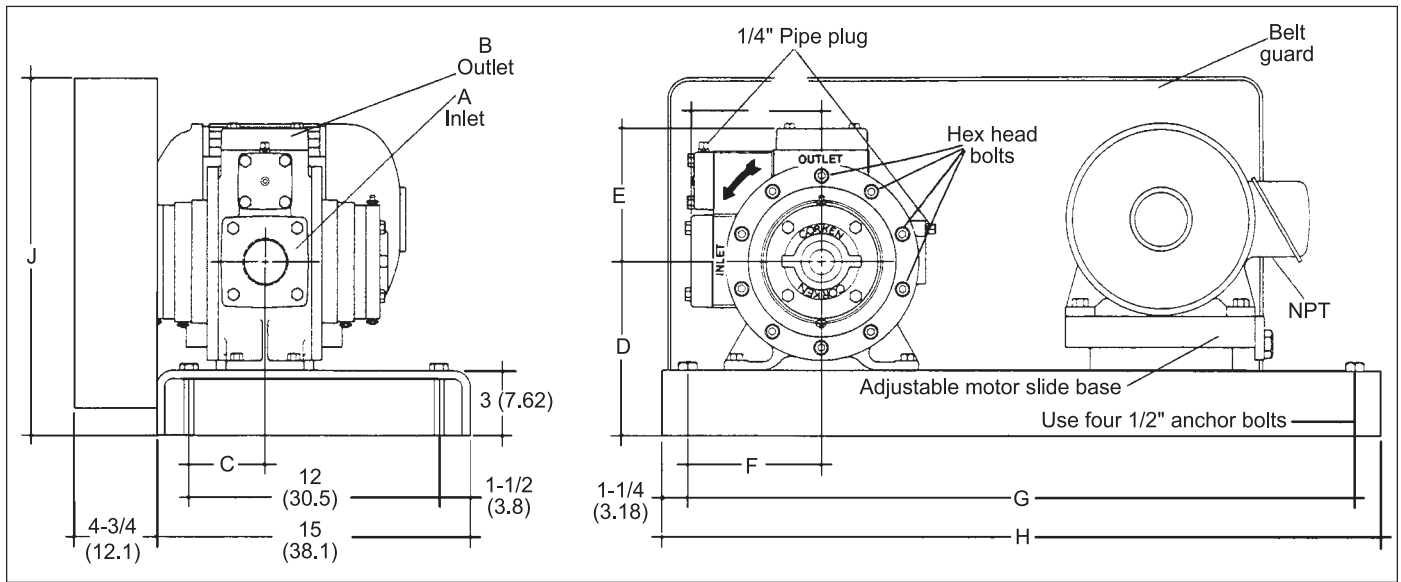
Appendix D—Outline Dimensions For Models F1021 and F1521



Outline Dimensions—Inches (Centimeters)								
Model	A	B	C	D	E	F	G	H
F1021	3	2-1/2	7-3/4 (19.7)	5-1/2 (14.0)	2 (5.1)	1-3/4 (4.4)	2-5/8 (6.7)	3-1/2 (8.9)
F1521	4	3	7-27/32 (19.9)	5-1/2 (14.0)	3 (7.6)	2-7/8 (7.3)	3-3/4 (9.5)	4-5/8 (11.7)

Outline Dimensions—Inches (Centimeters)							
Model	J	K	L	M	N	P	Q
F1021	8-1/2 (21.6)	6-1/2 (16.5)	4-1/8 (10.5)	4-15/16 (12.5)	1/4 (0.64)	1-1/8 (2.9)	1/2 (1.27)
F1521	10-5/8 (27.0)	8-1/16 (20.5)	4-1/8 (10.5)	4-15/16 (12.5)	1/4 (0.64)	1-1/8 (2.9)	1/2 (1.27)

Appendix D—Outline Dimensions For Models 521 and 1021-103



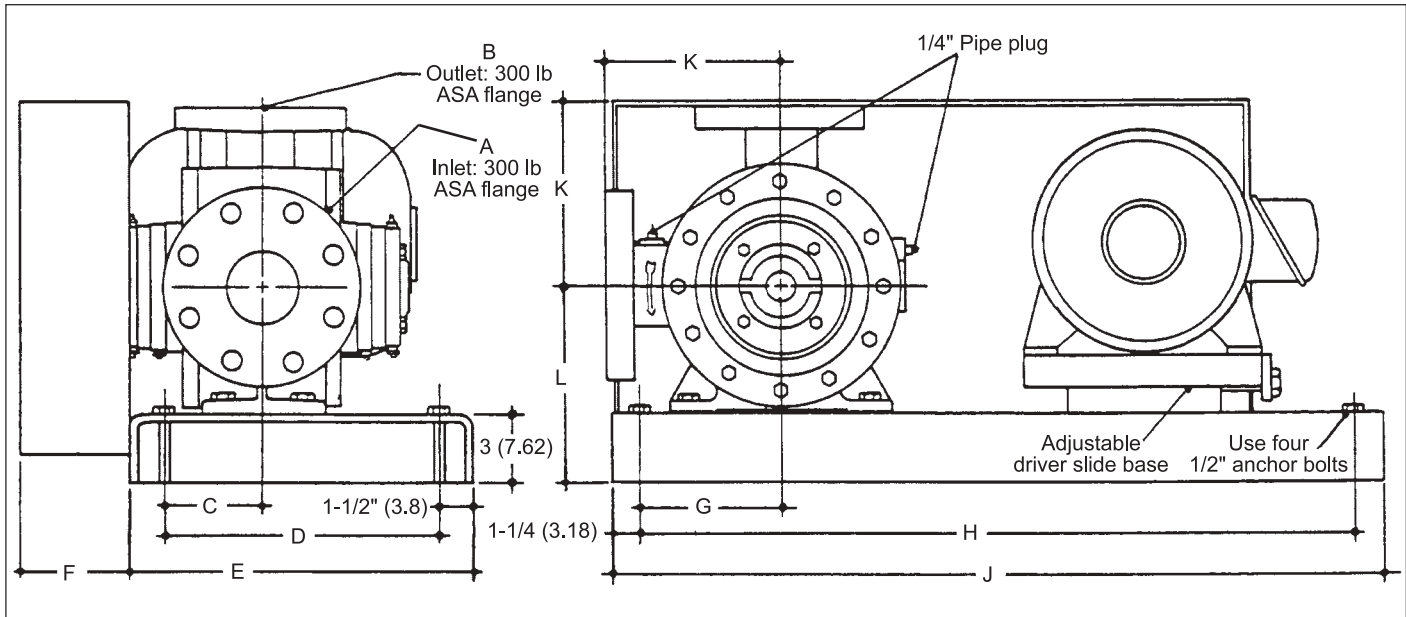
Flange Dimensions		
Model	A (inlet)	B (outlet)
521	2-1/2" NPT (2" NPT opt.)	2" NPT (1-1/2", 2-1/2" NPT opt.)
1021	3" NPT (4" NPT opt.)	3" NPT (4" NPT opt.)

Motor		Pump	521-103 Dimensions—Inches (Centimeters)						
Hp	Frame ¹	Speed	C	D	E	F	G	H	J
2	145T	All	3-5/8 (9.21)	8 (20.3)	6-1/8 (15.6)	6-1/4 (15.9)	31-1/2 (80.0)	34 (86.4)	16-1/2 (41.9)
2	182T	All	3-5/8 (9.21)	8 (20.3)	6-1/8 (15.6)	6-1/4 (15.9)	31-1/2 (80.0)	34 (86.4)	16-1/2 (41.9)
3	182T	All	3-5/8 (9.21)	8 (20.3)	6-1/8 (15.6)	6-1/4 (15.9)	31-1/2 (80.0)	34 (86.4)	16-1/2 (41.9)
3	184T	All	3-5/8 (9.21)	8 (20.3)	6-1/8 (15.6)	6-1/4 (15.9)	31-1/2 (80.0)	34 (86.4)	16-1/2 (41.9)
5	184T	All	3-5/8 (9.21)	8 (20.3)	6-1/8 (15.6)	6-1/4 (15.9)	31-1/2 (80.0)	34 (86.4)	16-1/2 (41.9)
7-1/2	213T	All	3-5/8 (9.21)	8 (20.3)	6-1/8 (15.6)	6-1/4 (15.9)	31-1/2 (80.0)	34 (86.4)	16-1/2 (41.9)
10	215T	420–470	3-5/8 (9.21)	10-3/4 (27.3)	6-1/8 (15.6)	9-1/4 (23.5)	39-1/2 (100.3)	42 (106.7)	19-3/4 (50.2)
10	215T	520–950	3-5/8 (9.21)	8 (20.3)	6-1/8 (15.6)	6-1/4 (15.9)	31-1/2 (80.0)	34 (86.4)	16-1/2 (41.9)

Motor		Pump	1021-103 Dimensions—Inches (Centimeters)						
Hp	Frame ¹	Speed	C	D	E	F	G	H	J
3	182T	All	4-1/2 (10.8)	8-1/2 (21.6)	7-3/16 (18.3)	6-1/4 (15.9)	31-1/2 (80.0)	34 (86.4)	16-1/2 (41.9)
3	182T	All	4-1/2 (10.8)	8-1/2 (21.6)	7-3/16 (18.3)	6-1/4 (15.9)	31-1/2 (80.0)	34 (86.4)	16-1/2 (41.9)
5	184T	All	4-1/2 (10.8)	8-1/2 (21.6)	7-3/16 (18.3)	6-1/4 (15.9)	31-1/2 (80.0)	34 (86.4)	16-1/2 (41.9)
7-1/2	213T	All	4-1/2 (10.8)	8-1/2 (21.6)	7-3/16 (18.3)	6-1/4 (15.9)	31-1/2 (80.0)	34 (86.4)	16-1/2 (41.9)
10	215T	420–470	4-1/2 (10.8)	10-1/2 (26.7)	7-3/16 (18.3)	9-1/4 (23.5)	39-1/2 (100.3)	42 (106.7)	19-3/4 (50.2)
10	215T	520–950	4-1/2 (10.8)	8-1/2 (21.6)	7-3/16 (18.3)	6-1/4 (15.9)	31-1/2 (80.0)	34 (86.4)	16-1/2 (41.9)
15	254T	420–520	4-1/2 (10.8)	10-1/2 (26.7)	7-3/16 (18.3)	9-1/4 (23.5)	39-1/2 (100.3)	42 (106.7)	19-3/4 (50.2)
15	254T	580–950	4-1/2 (10.8)	8-1/2 (21.6)	7-3/16 (18.3)	6-1/4 (15.9)	31-1/2 (80.0)	34 (86.4)	16-1/2 (41.9)
20	256T	520	4-1/2 (10.8)	10-1/2 (26.7)	7-3/16 (18.3)	9-1/4 (23.5)	39-1/2 (100.3)	42 (106.7)	19-3/4 (50.2)
20	256T	640–950	4-1/2 (10.8)	8-1/2 (21.6)	7-3/16 (18.3)	6-1/4 (15.9)	31-1/2 (80.0)	34 (86.4)	16-1/2 (41.9)

¹All dimensions based on a motor speed of 1,750 RPM.

Appendix D—Outline Dimensions For Models F1021 and F1521-103



Flange Dimensions		
Model	A (inlet)	B (Outlet)
F1021	3" 300# ANSI	2-1/2" 300# ANSI
F1521	4" 300# ANSI	3" 300# ANSI

Motor		Pump	F1021 Outline Dimensions—Inches (Centimeters)								
Hp	Frame ¹	Speed	C	D	E	F	G	H	J	K	L
3	182T	All	4-1/4 (10.8)	12 (30.5)	15 (38.1)	5 (12.7)	6-1/4 (15.9)	31-1/2 (80)	34 (86.4)	7-3/4 (19.7)	8-1/2 (21.6)
3	182T	All	4-1/4 (10.8)	12 (30.5)	15 (38.1)	5 (12.7)	6-1/4 (15.9)	31-1/2 (80)	34 (86.4)	7-3/4 (19.7)	8-1/2 (21.6)
5	184T	All	4-1/4 (10.8)	12 (30.5)	15 (38.1)	5 (12.7)	6-1/4 (15.9)	31-1/2 (80)	34 (86.4)	7-3/4 (19.7)	8-1/2 (21.6)
7-1/2	213T	All	4-1/4 (10.8)	12 (30.5)	15 (38.1)	5 (12.7)	6-1/4 (15.9)	31-1/2 (80)	34 (86.4)	7-3/4 (19.7)	8-1/2 (21.6)
10	215T	420–470	4-1/4 (10.8)	12 (30.5)	15 (38.1)	5 (12.7)	9-1/4 (23.5)	39-1/2 (100.3)	42 (106.7)	7-3/4 (19.7)	10-1/2 (26.7)
10	215T	520–950	4-1/4 (10.8)	12 (30.5)	15 (38.1)	5 (12.7)	6-1/4 (15.9)	31-1/2 (80)	34 (86.4)	7-3/4 (19.7)	8-1/2 (21.6)
15	254T	420–520	4-1/4 (10.8)	12 (30.5)	15 (38.1)	5 (12.7)	9-1/4 (23.5)	39-1/2 (100.3)	42 (106.7)	7-3/4 (19.7)	10-1/2 (26.7)
15	254T	580–950	4-1/4 (10.8)	12 (30.5)	15 (38.1)	5 (12.7)	6-1/4 (15.9)	31-1/2 (80)	34 (86.4)	7-3/4 (19.7)	8-1/2 (21.6)
20	256T	520	4-1/4 (10.8)	12 (30.5)	15 (38.1)	5 (12.7)	9-1/4 (23.5)	39-1/2 (100.3)	42 (106.7)	7-3/4 (19.7)	10-1/2 (26.7)
20	256T	640–950	4-1/4 (10.8)	12 (30.5)	15 (38.1)	5 (12.7)	6-1/4 (15.9)	31-1/2 (80)	34 (86.4)	7-3/4 (19.7)	8-1/2 (21.6)

Motor		Pump	F1521 Outline Dimensions—Inches (Centimeters)								
Hp	Frame ¹	Speed	C	D	E	F	G	H	J	K	L
5	184T	All	6-3/8 (16.2)	12 (30.5)	15 (38.1)	5 (12.7)	6-1/4 (15.9)	31-1/2 (80)	34 (86.4)	7-7/8 (19.9)	8-1/2 (21.6)
7-1/2	213T	All	6-3/8 (16.2)	12 (30.5)	15 (38.1)	5 (12.7)	6-1/4 (15.9)	31-1/2 (80)	34 (86.4)	7-7/8 (19.9)	8-1/2 (21.6)
10	215T	420–470	6-3/8 (16.2)	12 (30.5)	15 (38.1)	5 (12.7)	9-1/4 (23.5)	39-1/2 (100.3)	42 (106.7)	7-7/8 (19.9)	10-1/2 (26.7)
10	215T	520–860	6-3/8 (16.2)	12 (30.5)	15 (38.1)	5 (12.7)	6-1/4 (15.9)	31-1/2 (80)	34 (86.4)	7-7/8 (19.9)	8-1/2 (21.6)
15	254T	420–520	6-3/8 (16.2)	12 (30.5)	15 (38.1)	5 (12.7)	9-1/4 (23.5)	39-1/2 (100.3)	42 (106.7)	7-7/8 (19.9)	10-1/2 (26.7)
15	254T	580–860	6-3/8 (16.2)	12 (30.5)	15 (38.1)	5 (12.7)	6-1/4 (15.9)	31-1/2 (80)	34 (86.4)	7-7/8 (19.9)	8-1/2 (21.6)
20	256T	520	6-3/8 (16.2)	12 (30.5)	15 (38.1)	5 (12.7)	9-1/4 (23.5)	39-1/2 (100.3)	42 (106.7)	7-7/8 (19.9)	10-1/2 (26.7)
20	256T	640–860	6-3/8 (16.2)	12 (30.5)	15 (38.1)	5 (12.7)	6-1/4 (15.9)	31-1/2 (80)	34 (86.4)	7-7/8 (19.9)	8-1/2 (21.6)

¹All dimensions based on a motor speed of 1,750 RPM.