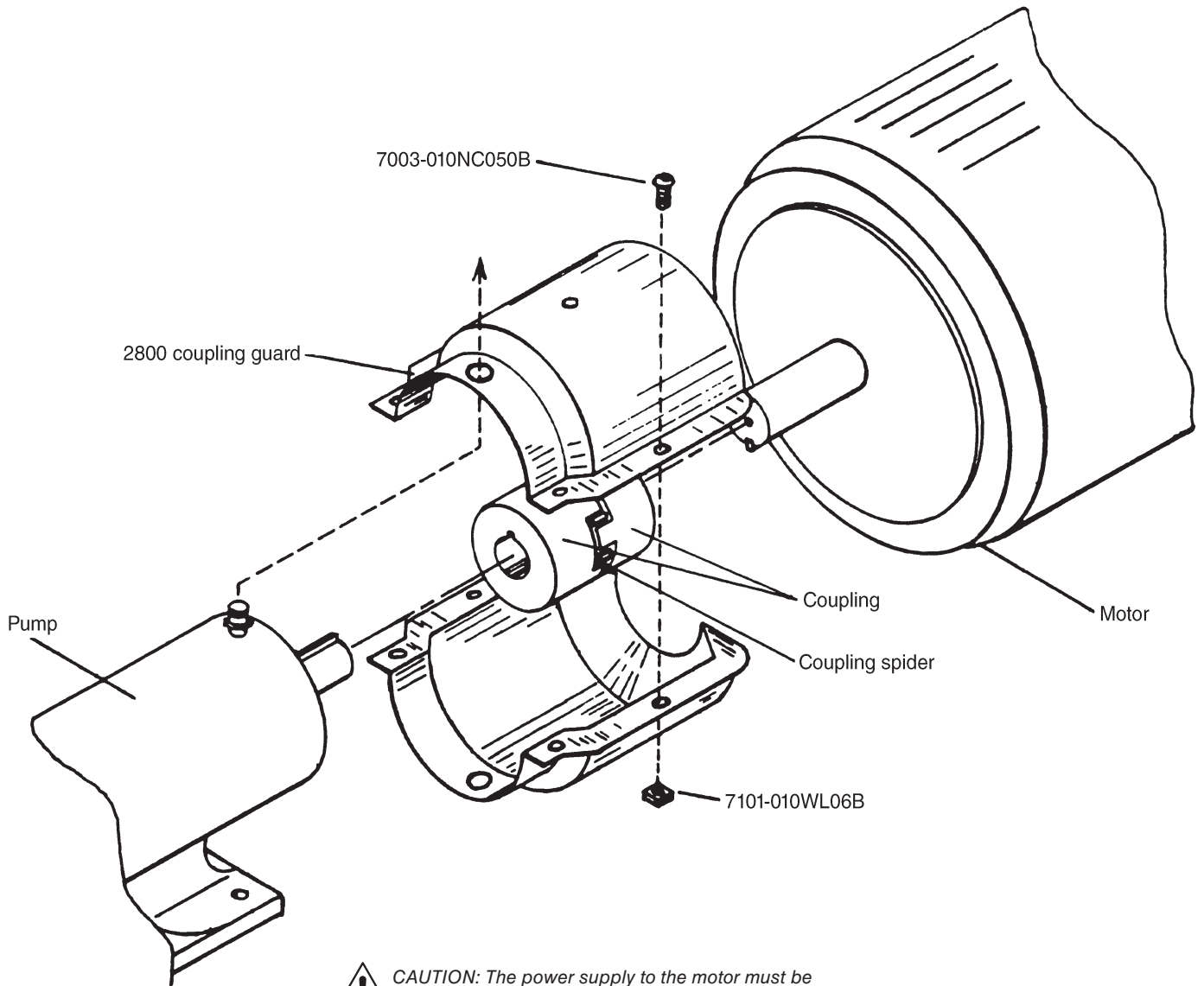


Appendix E—Parts Details for the F-Model Pump Coupling Guard

All F- and FF-Models (Pump Sizes 9, 10, 12, 13, 14, and 15)



CAUTION: The power supply to the motor must be disconnected before working on the pump drive system.

Part No.	Description
1344	Coupling AL/L-095, special bore
1344-1	Coupling AL/L-095, 1 x 5/8
1344-2	Coupling AL/L-095, 1 x 3/4
1344-3	Coupling AL/L-095, 1 x 7/8
1344-4	Coupling AL/L-095, 1 x 1-1/8
1345	Coupling AL/L-100, special bore
1345-1	Coupling AL/L-095, 1 x 1-3/8
1346	Coupling AL/L-110, special bore-hytrel
1351	Coupling spider AL/L-095
1352	Coupling spider AL/L-100
1353	Coupling spider AL/L-110/hytrel
2800-X	Coupling guard assembly - Coro-Flo® (includes (2)2800, (4)7003-010NC050B, and (4)7101-010WL06B)