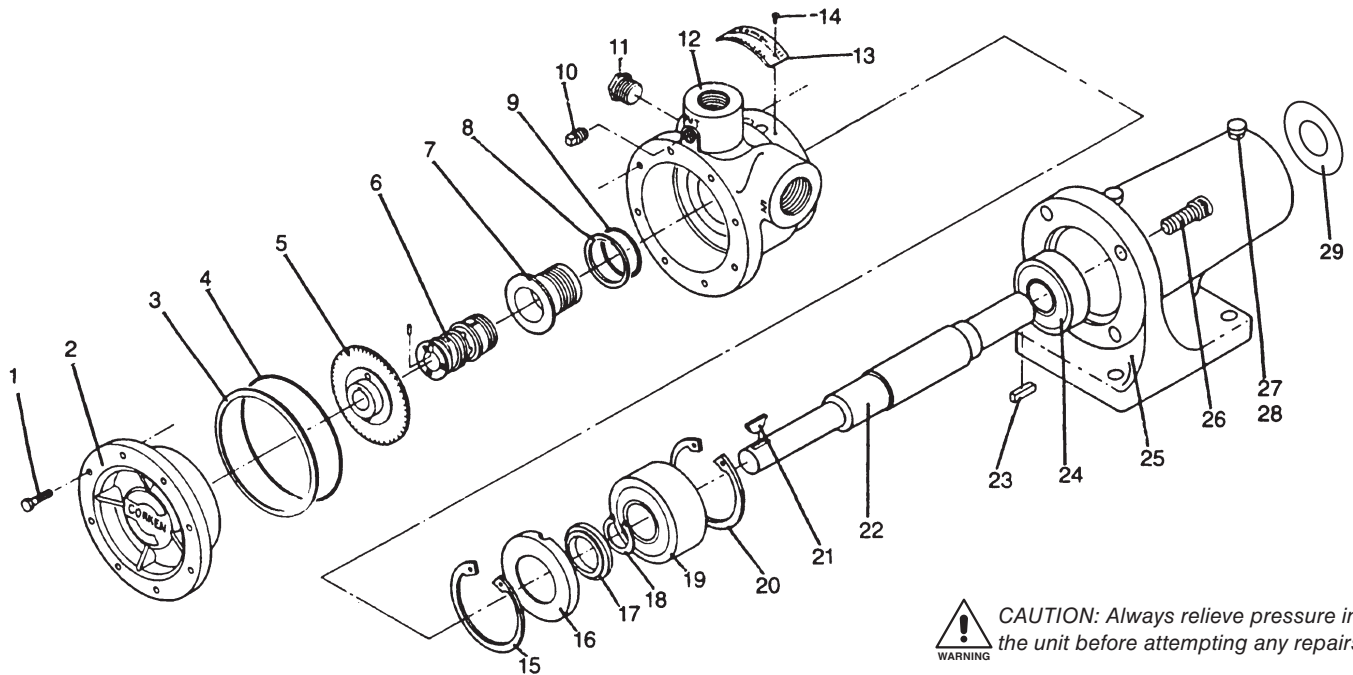


Appendix E—Parts Details for All F-Model (Frame-Mounted) Pumps

This includes F- and FF-models in sizes 9, 10, 12, 13, 14, & 15



CAUTION: Always relieve pressure in the unit before attempting any repairs.

Ref No.	Part No.	Description	Qty.
1	7001-031NC100A	Hex head cap screw	8
2	1001-09	Cover - model 9	1
	1001-0	Cover - model 10	1
	1001-2	Cover - model 12	1
	1001-3	Cover - model 13	1
	1001-4	Cover - model 14	1
	1001-5	Cover - model 15	1
	3	1014 ^c	Case clearance shim (0.002 - red)
1014-1 ^c		Case clearance shim (0.003 - green)	As req.
4	2-246 ^{a,c}	Case O-ring (non-PTFE)	1
	2-247E ^c	Case O-ring PTFE	1
5	1003-09 ^d	Impeller - model 9	1
	1003-0 ^d	Impeller - model 10	1
	1003-2 ^d	Impeller - model 12	1
	1003-3 ^d	Impeller - model 13	1
	1003-4 ^d	Impeller - model 14	1
	1003-5 ^d	Impeller - model 15	1
6	113-CX ^a	Seal assembly	1
7	1004-1X	Seal housing, steel (for non PTFE O-rings)	1
	1004-11X	Seal housing, stainless steel (for non PTFE O-rings)	1
	1004-2X	Seal housing, steel (for PTFE O-rings)	1
	1004-21X	Seal housing, stainless steel (for PTFE O-rings)	1
8	1013	Housing adjustment shim (0.010)	As req.
	1013-1	Housing adjustment shim (0.020)	As req.
9	2-224 ^{a,c}	O-ring (housing)	1
10	3442	Pipe plug 1/4"	1
11	3444	Pipe plug 3/4"	1
12	1002-9	Case - model 9	1
	1002-0	Case - model 10	1
	1002-2	Case - model 12	1
	1002-3	Case - model 13	1

Ref No.	Part No.	Description	Qty.
12	1002-4	Case - model 14	1
	1002-5	Case - model 15	1
	4206-09	Case - ANSI flanged model 9	1
	4206-0	Case - ANSI flanged model 10	1
	4206-2	Case - ANSI flanged model 12	1
	4206-3	Case - ANSI flanged model 13	1
	4206-4	Case - ANSI flanged model 14	1
	4206-5	Case - ANSI flanged model 15	1
13	1914-1	Name plate	1
14	7012-006SF019E	Phillips head screw 6-32 x 1/4"	2
15	5002-281	Bearing retainer ring	1
16	1238	Bearing cap	1
17	1006	Grease seal	1
18	5102-118	Bearing retainer ring	1
19	2758	Ball bearing	1
20	5000-281	Bearing retainer ring	1
	2497 ^c	#5 woodruff key, steel	1
21	2497-1 ^c	#5 woodruff key, stainless steel	1
	1234	Shaft	1
22	1234-1	Shaft, stainless steel	1
	3226 ^c	Key	1
23	2759	Ball bearing	1
24	1010-2	Frame	1
25	7002-037NC087A	Socket head screw	4
26	2158	Grease zerk	2
27	2159	Lubricap	2
28	3227	Bearing plate	1

O-ring Code	
A	Buna-N
B	Neoprene ^b
D	Viton ^b
E	PTFE
G	Ethylene Propylene
K	Kalrez ^b

^a _ denotes O-ring code. See O-ring chart for details.

^b Registered trademark of the DuPont company.

^c Included with seal assembly/repair kit 113-CX_.

^d Add a 1 to # for iron or a 2 for stainless steel. (ex. - model 10 w/iron is 1003-01)