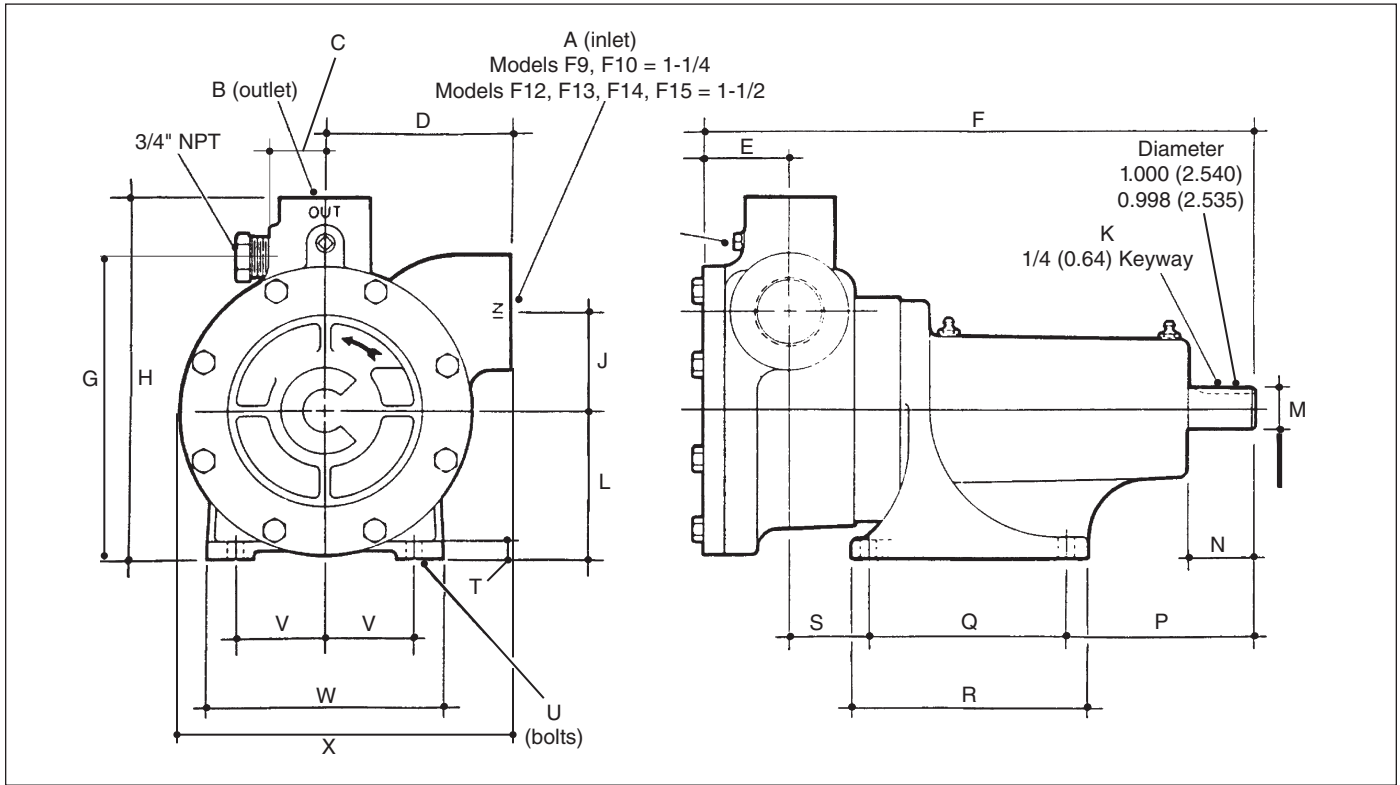


Appendix D—Outline Dimensions for F-Model (Frame-Mount) Pumps

All F9, F10, F12, F13, F14, and F15 Model Pumps



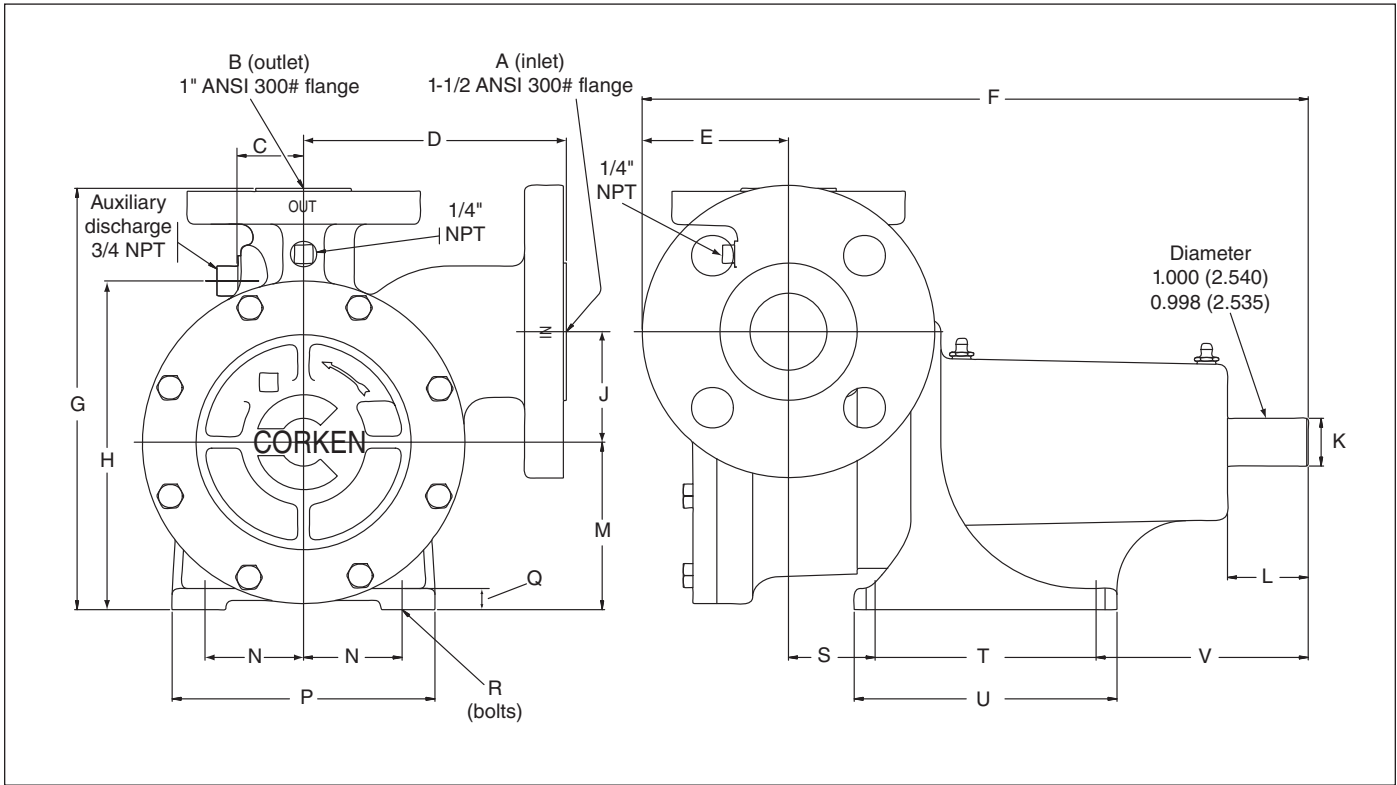
Flange Dimensions		
Model	A (inlet)	B (outlet)
F9–F10	1-1/4" NPT	1" NPT
F12–F15	1-1/2" NPT	1" NPT

F9–F15 NPT Outline Dimensions—Inches (Centimeters)									
C	D	E	F	G	H	J	K	L	M
1-5/16 (3.33)	4-5/16 (10.95)	2 (5.08)	12-13/16 (32.54)	7-1/8 (18.10)	8-1/2 (21.59)	2-5/16 (5.87)	1/4 (0.64)	3-1/2 (8.90)	1 diameter (2.54)

F9–F15 NPT Outline Dimensions—Inches (Centimeters)									
N	P	Q	R	S	T	U	V	W	X
1-11/16 (4.29)	4-7/16 (11.27)	4-5/8 (11.75)	5-1/2 (13.97)	1-3/4 (4.45)	1/2 (1.27)	5/16 bolt (0.79)	2-1/16 (5.24)	5-1/2 (13.97)	7-3/4 (19.69)

Appendix D—Outline Dimensions for F-Model (Frame-Mount) Pumps

All FF9, FF10, FF12, FF13, FF14, and FF15 Model Pumps



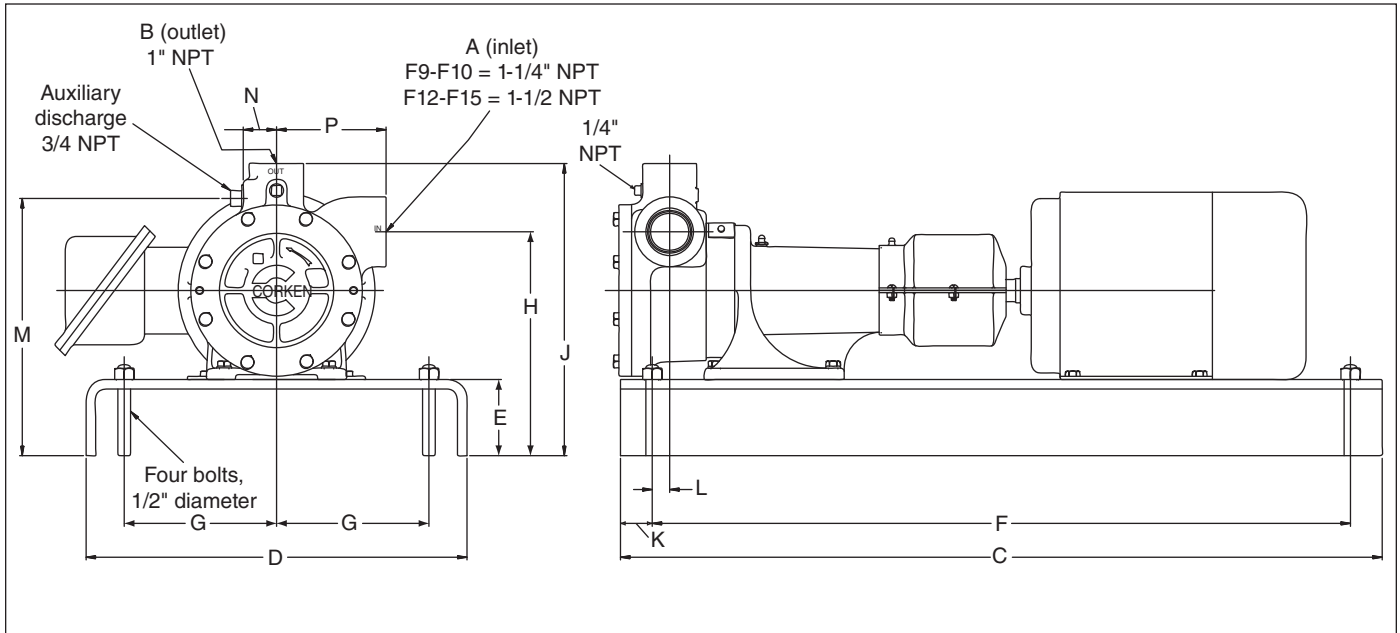
Flange Dimensions		
Model	A (inlet)	B (outlet)
FF9–FF15	1-1/2" 300# ANSI	1" 300# ANSI

FF9–FF15 300# ANSI Outline Dimensions—Inches (Centimeters)								
C	D	E	F	G	H	J	K	L
1-5/16 (3.33)	5-1/2 (13.97)	3-1/16 (7.78)	13-15/16 (35.41)	8-13/16 (22.40)	6-7/8 (17.48)	2-5/16 (5.87)	1 diameter (2.54)	1-11/16 (4.29)

FF9–FF15 300# ANSI Outline Dimensions—Inches (Centimeters)									
M	N	P	Q	R	S	T	U	V	W
3-1/2 (8.90)	2-1/16 (5.24)	5-1/2 (13.97)	1/2 (1.27)	5/16 bolt (0.79)	1-13/16 (4.61)	4-5/8 (11.75)	5-1/2 (13.97)	4-7/16 (11.27)	8-7/8 (22.54)

Appendix D—Outline Dimensions for F-Model (Frame-Mount) Pumps with -101 Mounting

All F9-101, F10-101, F12-101, F13-101, F14-101, and F15-101 Model Pumps

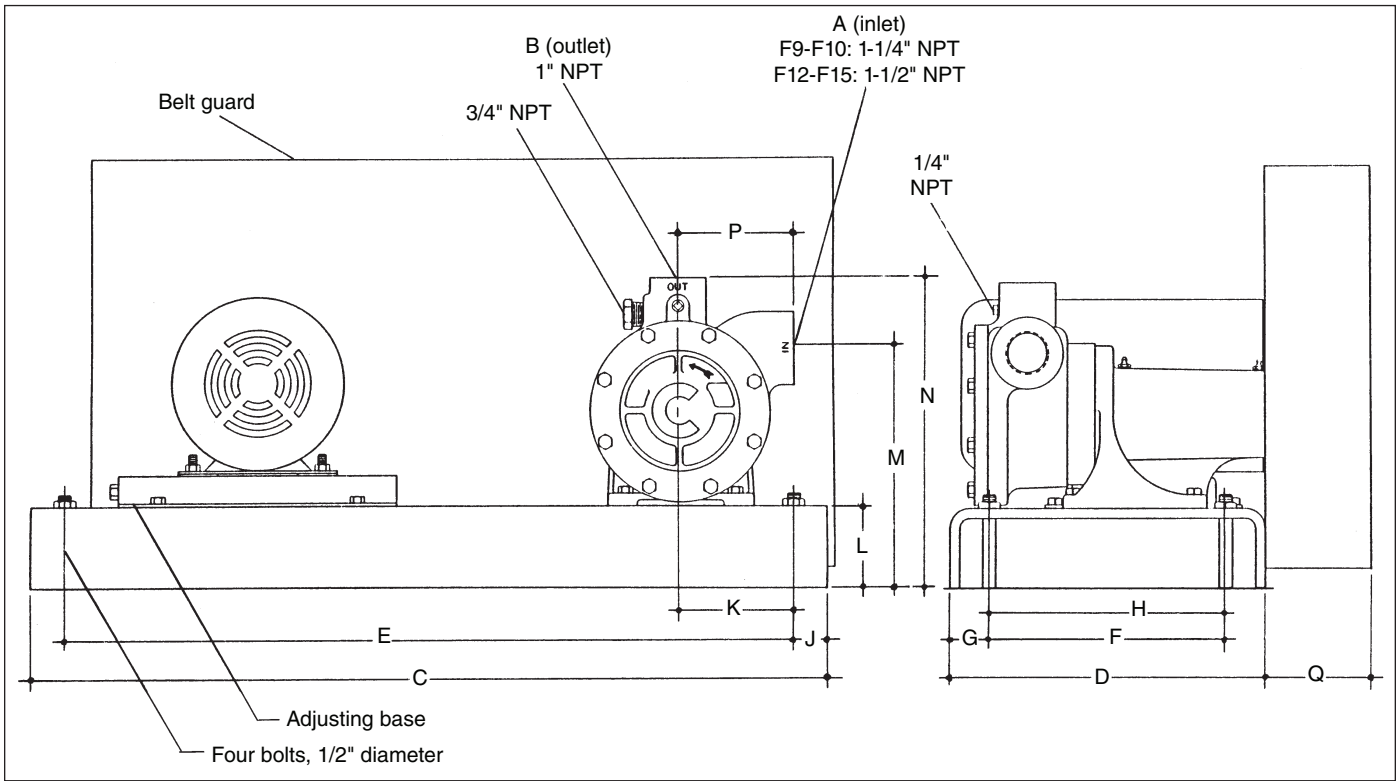


Flange Dimensions		
Model	A (inlet)	B (outlet)
F9–F10	1-1/4" NPT	1" NPT
F12–F15	1-1/2" NPT	1" NPT

F9–101 through F15–101 Mounting Dimensions—Inches (Centimeters)												
Mtr. Frame	C	D	E	F	G	H	J	K	L	M	N	P
56	22 (56.0)	10 (25.0)	2-1/2 (6.3)	20 (51.0)	4 (10.2)	8-1/4 (21.0)	11 (28.0)	1 (2.50)	11/16 (1.7)	10-1/8 (25.7)	1-5/16 (3.33)	4-5/16 (10.95)
66	30 (76.2)	15 (38.1)	3 (7.6)	27-1/2 (69.8)	6 (15.2)	9-3/8 (23.8)	12-1/8 (30.8)	1-1/4 (3.2)				
143T, 145T						8-13/16 (22.4)	11-1/2 (29.2)					
182T, 184T						9-3/4 (24.8)	12-1/2 (31.7)					
213T, 215T	34 (86.4)	15 (38.1)	3 (7.6)	31-1/2 (80.0)	6 (15.2)	10-1/2 (26.7)	13-1/4 (33.7)	1-1/4 (3.2)				
254U						11-1/2 (29.2)	14-1/4 (36.2)					

Appendix D—Outline Dimensions for F-Models (Frame-Mount) Pumps with -103 Mounting

All F9-103, F10-103, F12-103, F13-103, F14-103, and F15-103 Model Pumps



Flange Dimensions		
Model	A (inlet)	B (outlet)
F9-F10	1-1/4" NPT	1" NPT
F12-F15	1-1/2" NPT	1" NPT

F9-103 through F15-103 Mounting Dimensions—Inches (Centimeters)													
Motor Frame	C	D	E	F	G	H	J	K	L	M	N	P	Q
56, 66, 143T, 145T, 182T, 184T, 213T, 215T	30 (76.2)	12 (30.5)	27-1/2 (69.8)	9 (22.9)	1-1/2 (3.8)	7-9/16 (19.2)	1-1/4 (3.2)	4-1/4 (10.8)	3 (7.6)	8-3/4 (22.2)	11-1/2 (29.2)	4-5/16 (10.9)	5 (12.7)
254U													
256U	34 (86.4)	15 (38.1)	31-1/2 (80.0)	12 (30.5)									