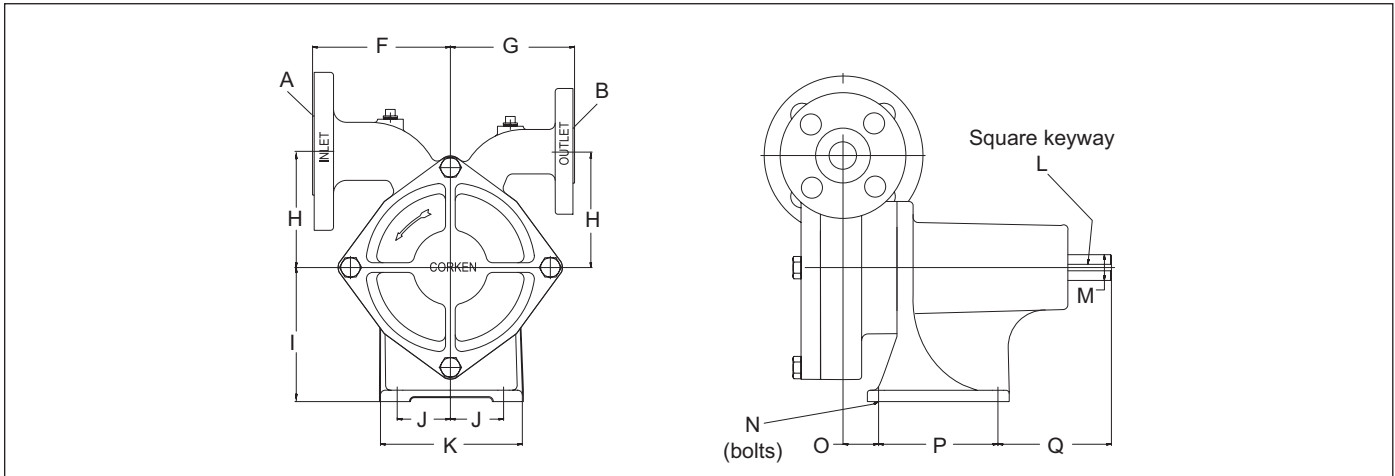
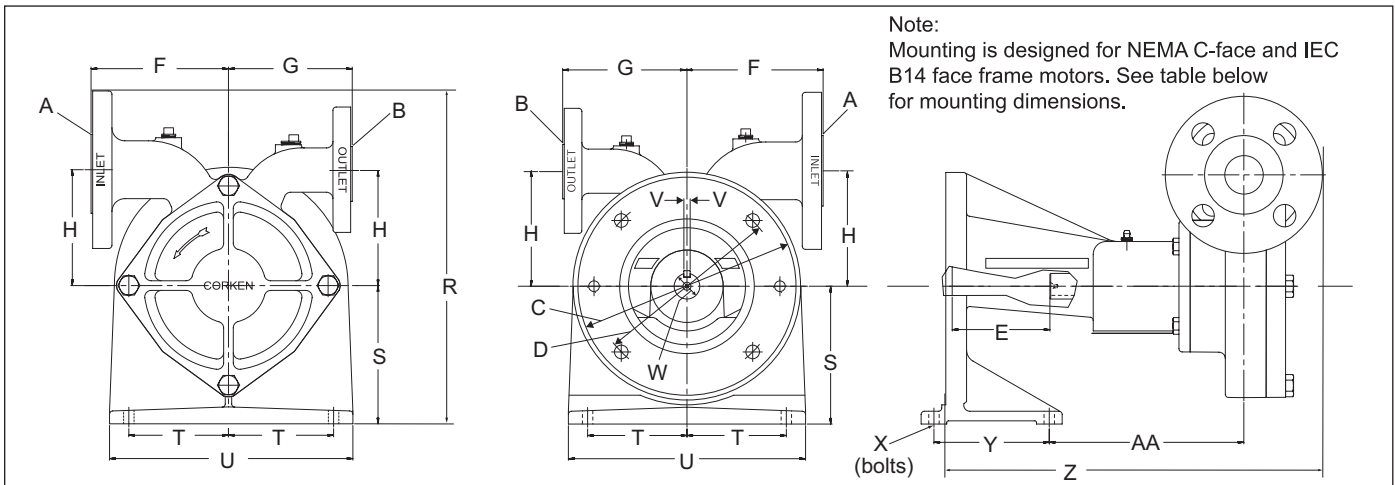


Appendix D—Outline Dimensions for Models 060, 075 and 150 Coro-Flo® Pumps

Frame Mount ANSI Flange (FF) and DIN Flange (FD)



Direct Mount ANSI Flange (DLF) and DIN Flange (DLD)



Flange Dimensions		
Model	A (inlet)	B (outlet)
All models FF and DLF	1-1/2" ANSI 300#	1" ANSI 300#
All models FD and DLD	DIN 2635, 40 PN, 40 mm	DIN 2635, 40 PN, 25 mm

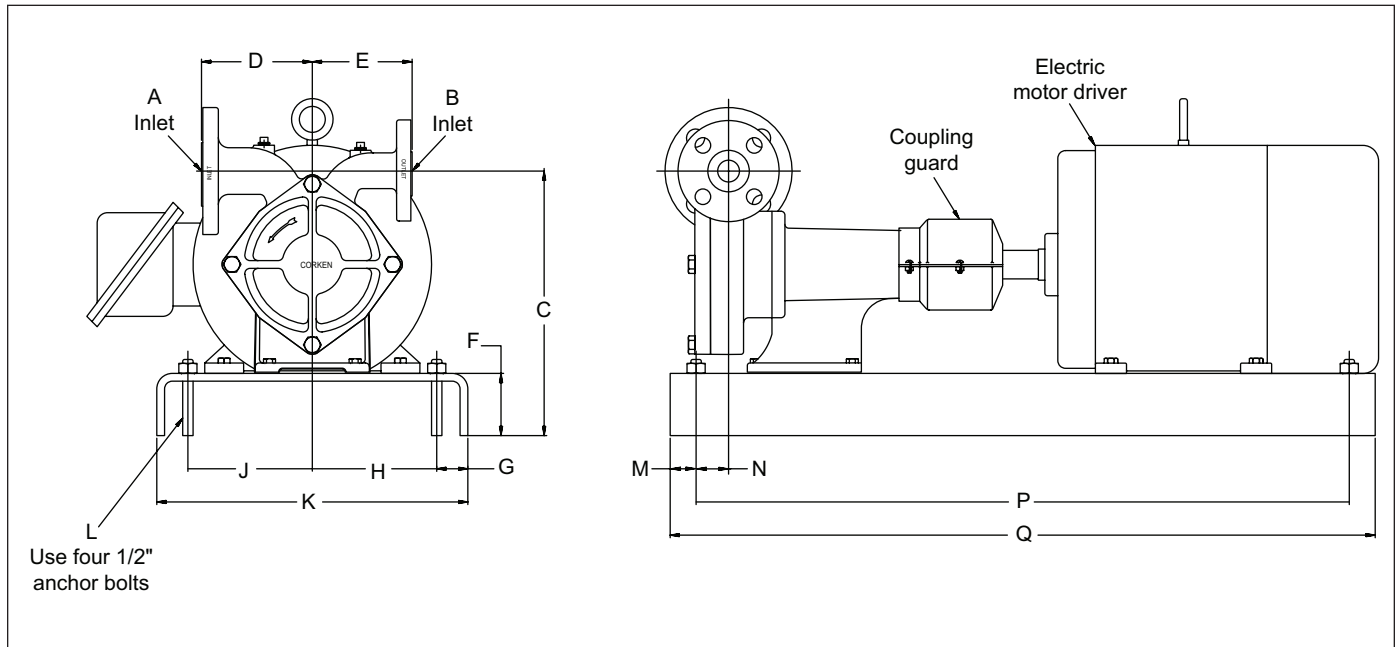
Motor Mounting Dimensions			
Type	C	D	E
NEMA	8-1/2"	7-1/4"	3-13/16"
IEC	165 mm	130 mm	90.75 mm

Outline Dimensions—Inches (Centimeters)										
F	G	H	I	J	K	L	M	N	O	P
5-5/16 (13.57)	4-13/16 (12.23)	4-1/2 (11.43)	5-13/64 (13.20)	2-1/16 (5.24)	5-1/2 (13.97)	1/4 (0.63)	1 diameter (2.54)	5/16 bolts (0.79)	1-3/8 (3.50)	4-5/8 (11.75)

Outline Dimensions—Inches (Centimeters)										
Q	R	S	T	U	V	W	X	Y	Z	AA
4-3/8 (11.18)	12-15/16 (32.86)	5-3/8 (13.65)	3-7/8 (9.84)	9-1/4 (23.50)	1/4 (0.63)	1 (25.4)	5/16 bolts (0.79)	4-1/2 (11.42)	14-3/8 (36.51)	7-19/32 (19.27)

Appendix D—Outline Dimensions for Models 060, 075 and 150 Coro-Flo® Pumps

Frame Mount ANSI Flange (FF) and DIN Flange (FD) with -101 Mounting



Flange Dimensions		
Model	A (inlet)	B (outlet)
FF060, FF075 and FF150	1-1/2" ANSI 300#	1" ANSI 300#
FD060, FD075 and FD150	DIN 2635, 40 PN, 40 mm	DIN 2635, 40 PN, 25 mm

C Dimensions All Models	
182T-215T Frame	12-3/4" (32.40)
254T-256T Frame	13-3/4" (34.94)

Outline Dimensions For 182T-256T Frame—Inches (centimeters)											
D	E	F	G	H	J	K	L	M	N	P	Q
5-11/32 (13.57)	4-13/16 (12.23)	3 (7.62)	1-1/2 (3.81)	6 (15.24)	6 (15.24)	15 (38.10)	1/2 Bolts (1.27)	1-1/4 (3.17)	1-9/16 (3.97)	31-1/2 (80.01)	34 (86.36)